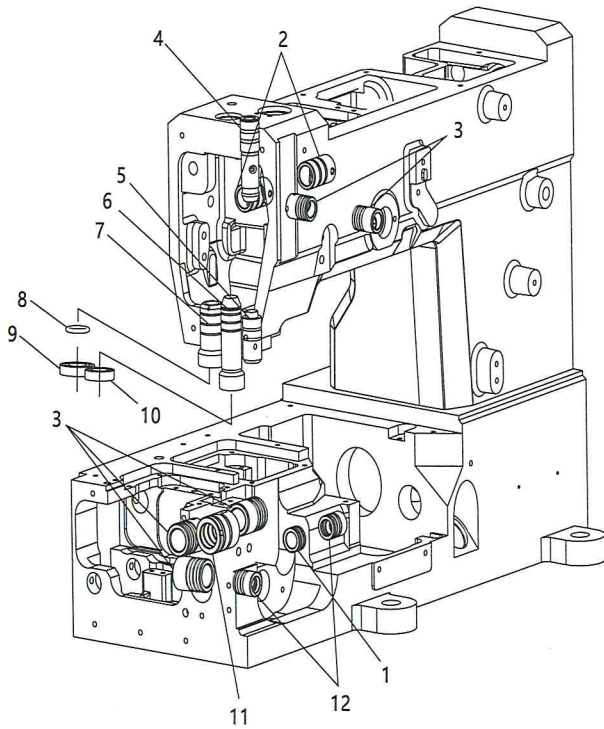
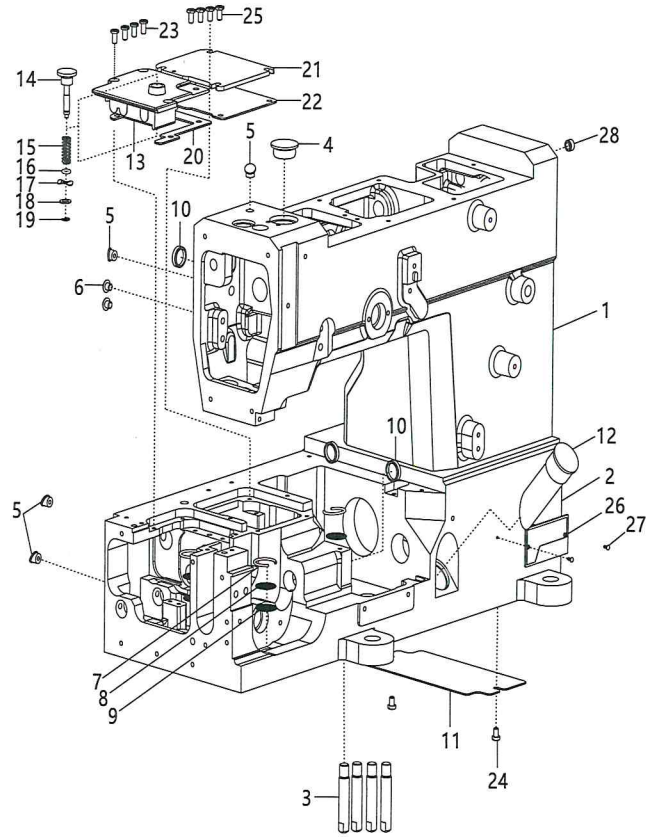


H7 零件手册 (PARTS BOOK)

1、套筒部件/Bushing assemblies



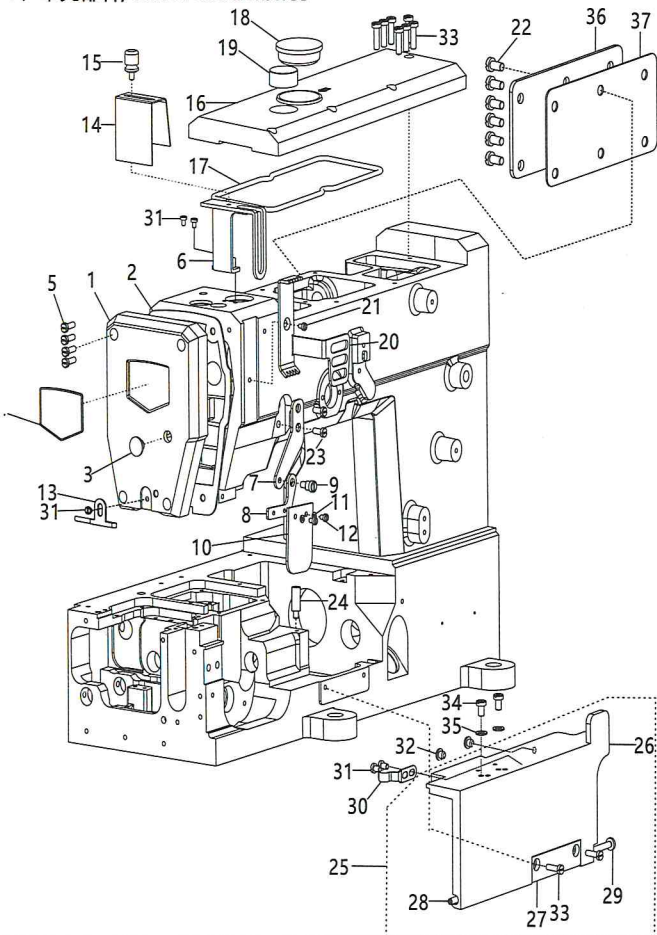
2、车壳部件/Frame assemblies



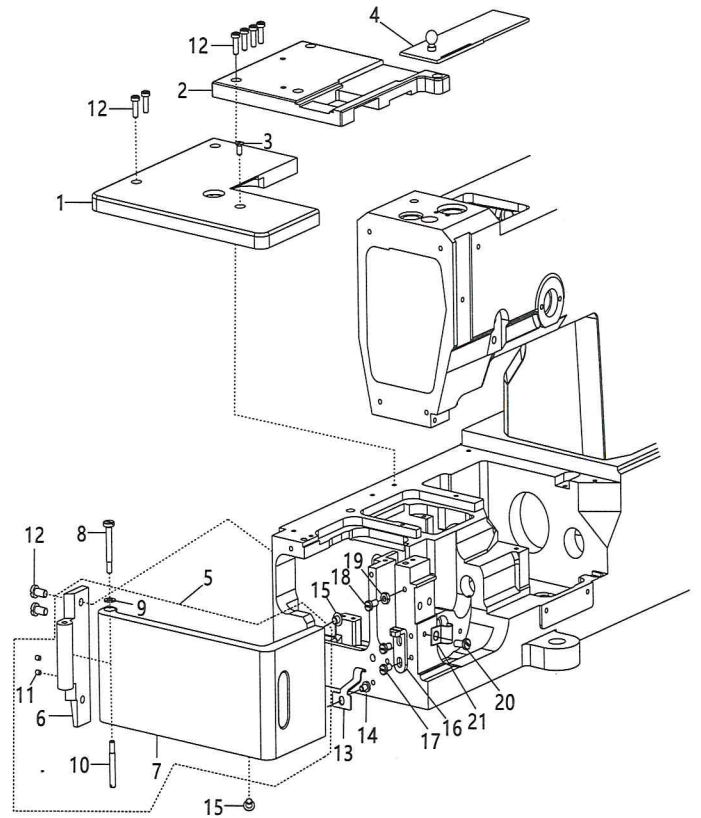
序号 Ref.No.	物料号 Part.No.	名称	Description	数量 Q'ty	备注 Remark	序号 Ref.No.	物料号 Part.No.	名称	Description	数量 Q'ty	备注 Re
1	13.000.00012	保针轴套筒	bushing	1		1	19.01.03.00009	机壳	ARM	1	
2	13.000.00002	摆杆连杆轴套筒	sleeve	2		2	19.01.03.00010	机座	Machine seat	1	
3	13.000.00003	摆轴套筒	sleeve	5		3	17.01.00277	底板支柱	Machine mounting screw M8	4	
4	13.000.00004	针杆上套	sleeve	1		4	13.000.00014	橡胶塞	plug	1	
5	13.000.00005	针杆下套	sleeve	1		5	13.000.00015	橡胶塞	plug	4	
6	13.000.00006	滚针摆动套筒	sleeve	1		6	13.000.00016	防震垫	plug	2	
7	13.000.00008	压脚轴套筒	sleeve	1		7	13.000.00017	挡油内孔	Oil shield coil protecting ring	3	
8	13.000.00048	O型圈Φ9	sleeve	1		8	13.000.00018	滤油网(粗)	Filter half tone	3	
9	13.000.00009	油封Φ9	plug	1		9	13.000.00019	滤油网(细)	Filter half tone	3	
10	13.000.00007	油封Φ8	plug	1		10	13.000.00020	橡胶塞	plug	3	
11	13.000.00010	主轴套筒	bushing	1		11	13.000.00021	底盖板	BED hood plate	1	
12	13.000.00011	护针轴前套筒	bushing	2		12	13.000.00022	油标	Oil indication window	1	
						13	13.000.00023	下节左盖	Top cover plate (left)	1	
						14	13.000.00024	针距调节按钮	Needle distance button	1	
						15	13.000.00025	针距调节簧	Needle distance button spring	1	
						16	13.000.00026	O型圈	O ring	1	
						17	17.05.00030	波形垫圈	Washer	1	
						18	17.05.00042	平垫圈	Washer	1	
						19	17.05.00018	开口挡圈	Snap ring	1	
						20	13.000.00027	下节左盖垫	gasket	1	
						21	13.000.00028	下节右盖	Top cover (right)	1	
						22	13.000.00029	下节右盖垫	gasket	1	
						23	17.01.00029	螺钉	Screw	4	
						24	17.01.00036	螺钉	Screw	2	
						25	17.01.00100	螺钉	Screw	4	
						26	15.03.00008	型号牌	Plate with model	1	
						27	15.03.00062	标牌铆钉	Rivet	2	
						28	13.000.00030	橡胶塞	plug	1	

326010

3. 罩壳部件/Cover assemblies



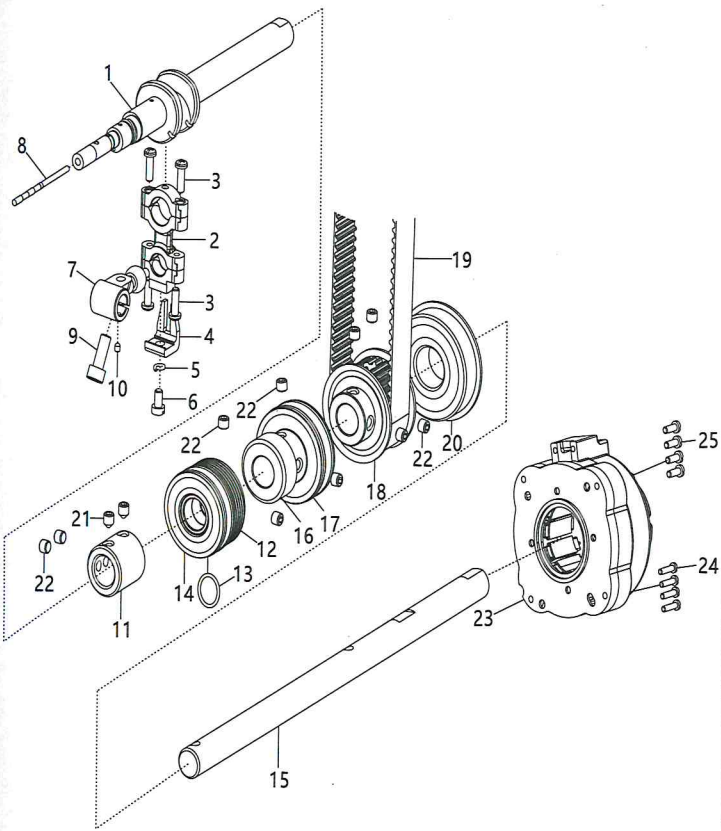
4. 缝台部件/Cloth plate assemblies



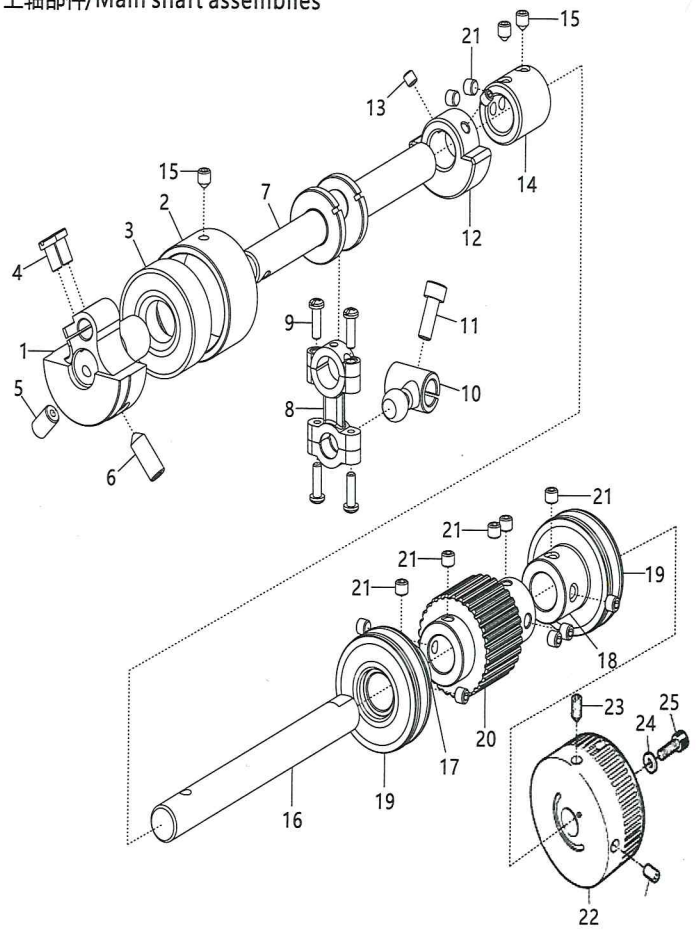
序号 Ref.No.	物料号 Part.No.	名称	Description	数量 Q'ty	备注 Remark
1	20.02.03.00045	面板	Face cover	1	
2	13.006.00004	面板密封胶	Face cover gasket	1	
3	13.000.00032	橡胶塞	plug	1	
4	15.03.00009	商标牌		1	
5	17.01.00091	螺钉	Screw	4	
6	13.006.00005	针杆上挑线防护罩架	Thread take-up lever guard	1	
7	13.006.00014	防护罩座	Shield seat	1	
8	13.006.00013	防护罩支架	Shield bracket	1	
9	17.01.00097	螺钉	Screw	1	
10	13.006.00015	防护罩	Therading cover spring	1	
11	17.05.00040	平垫圈	Washer	2	
12	17.01.00019	螺钉	Screw	2	
13	13.000.00037	LED灯	Sewing machina LED	1	
14	13.006.00016	针杆上挑线防护罩	Thread take-up lever guard	1	
15	17.01.00154	螺钉	Screw	1	
16	20.02.03.00044	上盖	Upper cover	1	
17	13.006.00003	上盖密封胶	Upper cover gasket	1	
18	13.000.00040	上盖橡胶塞	Upper cover plug	1	
19	13.000.00041	油窗	Sight Window	1	
20	13.006.00006	面线过线板	Threan takeup cover	1	
21	17.01.00027	螺钉	Screw	1	
22	17.01.00025	螺钉	Screw	6	
23	17.01.00090	螺钉	Screw	2	
24	17.01.00031	过线连接柱	Thread handler link	1	
25	20.02.03.00048	前缝台组件	Screw	1	
26	20.02.03.00048-1	前罩缝台盖	Screw	1	
27	20.02.03.00048-2	前罩缝台座	Screw	1	
28	20.02.03.00048-3	前罩缝台座螺钉	Screw	1	
29	20.02.03.00048-4	前罩缝台座紧定螺钉	Screw	1	
30	13.000.00043	前罩缝台簧	Therading cover spring	1	
31	17.01.00036	螺钉	Screw	7	
32	13.000.00044	防震垫(厚)	Shockproof plug	2	
33	17.01.00023	螺钉	Screw	9	
34	17.01.00034	螺钉	Screw	2	
35	17.05.00042	平垫圈	Washer	2	
36	13.002.00016	后窗板	Rear cover plate	1	
37	13.006.00008	后窗拆块	Rear cover pad	1	

序号 Ref.No.	物料号 Part.No.	名称	Description	数量 Q'ty	备注 Remark
1	20.02.03.00047	左缝台盖	Bed cover (left)	1	
2	20.02.03.00046	右缝台盖	Bed cover (right)	1	
3	17.01.00026	螺钉	Screw	1	
4	13.000.00045	推板	Cover	1	
5	20.02.03.00049	前罩组件	Side coverassy	1	
6	20.02.03.00049-1	前罩铰链板	Cover	1	
7	20.02.03.00049-2	前罩	Side cover	1	
8	20.02.03.00049-3	铰链连接上螺钉	Screw	1	
9	20.02.03.00049-4	弹簧垫圈	Spring	1	
10	20.02.03.00049-5	销螺钉	Screw	1	
11	20.02.03.00049-6	螺钉	Screw	2	
12	17.01.00091	螺钉	Screw	8	
13	13.006.00011	侧前锁紧簧	Flat spring	1	
14	17.01.00036	螺钉	Screw	1	
15	13.000.00016	防震垫	plug	2	
16	13.000.00047	防震板	Shockproof board	1	
17	17.01.00043	螺钉	Screw	2	
18	17.01.00090	螺钉	Screw	1	
19	17.04.00015	螺母	NUTM4	1	
20	17.01.00071	螺钉	Screw	1	
21	13.006.00012	侧前锁紧舌	Flat spring	1	

5、下轴部件/Hook shaft assemblies



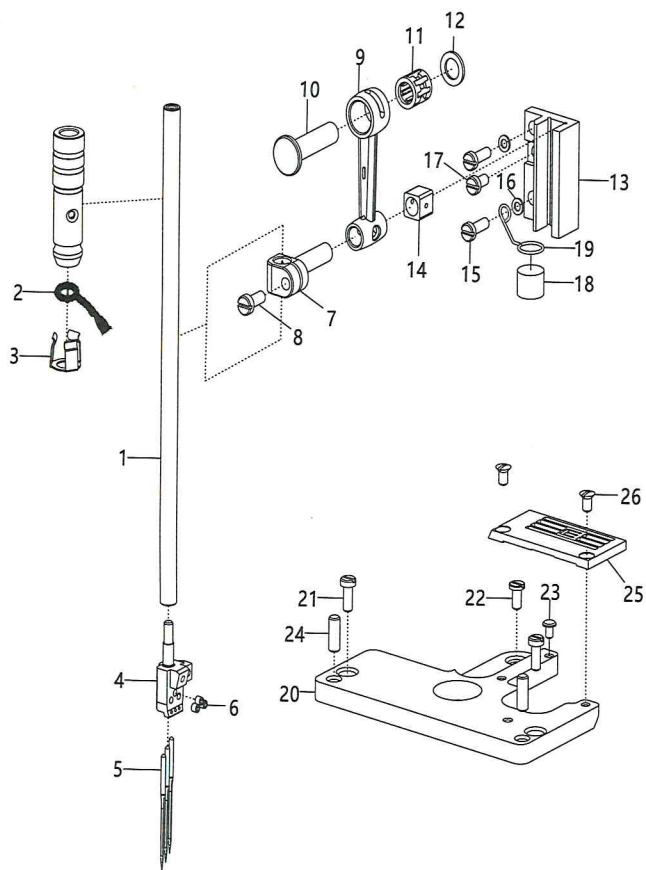
6、上轴部件/Main shaft assemblies



序号 Ref.No.	物料号 Part.No.	名称	Description	数量 Q'ty	备注 Remark
1	13.000.00061-12	下轴	Crankshaft assy	1	
2	13.000.00061-1	弯针连杆	Connection assy	1	
3	13.000.00061-2	螺钉	Screw	4	
4	13.000.00061-3	止摆叉口	Fork	1	
5	13.000.00061-4	弹簧垫圈	Snap rign	1	
6	13.000.00061-5	螺钉	Screw	1	
7	13.000.00061-6	弯针球曲柄	Looprt ball crank	1	
8	13.000.00052	下轴油量调节销	Oil flow regulating needle	1	
9	17.03.00006	螺钉	Screw	1	
10	17.01.00014	螺钉	Screw	1	
11	13.000.00053	联轴器	Link bearing	2	
12	13.000.00054	下轴中衬套	Lower shaft centre bushing ASM	1	
13	13.000.00055	O型圈	Bearing support	1	
14	17.06.00005	轴承	Bearing	1	
15	13.000.00056	下轴后节	Lower shaft backside	1	
16	13.000.00057	油泵螺杆	Oil pump worm	1	
17	17.06.00007	轴承6204	Bearing	1	
18	13.000.00058	下轴同步带轮	Driving wheel	1	
19	13.000.00059	同步带	Belt	2	
20	17.06.00004	轴承	Bearing	1	
21	17.03.00007	螺钉	Screw	2	
22	17.03.00011	螺钉	Screw	10	
23	18.01.02.00006	电机组件	Motor assembly	1	
24	18.01.02.00006-1	螺钉	Screw	4	
25	18.01.02.00006-2	螺钉	Screw	4	

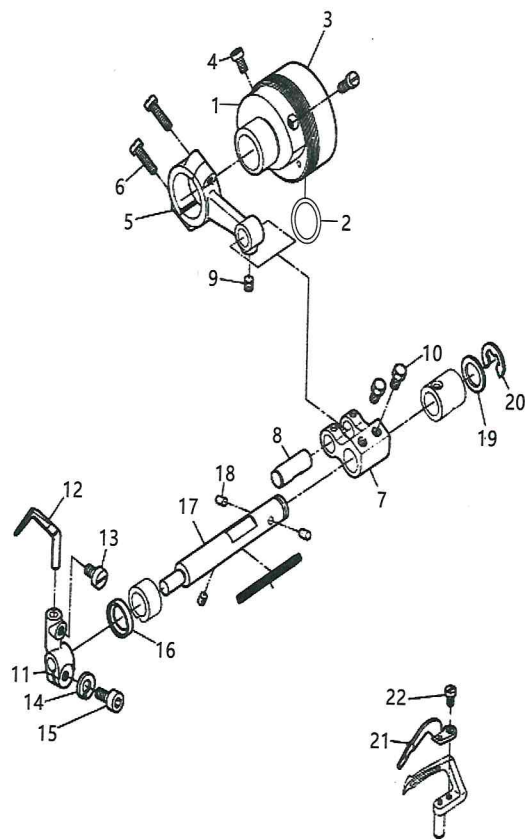
序号 Ref.No.	物料号 Part.No.	名称	Description	数量 Q'ty	备注 Remark
1	13.000.00062	针杆曲柄	Needle bar crank	1	
2	13.000.00063	轴承套	Bushing	1	
3	17.06.00006	轴承	Bushing	2	
4	17.01.00025	螺钉	Screw	2	
5	17.03.00008	螺钉	Screw	1	
6	17.01.00032	螺钉	Screw	1	
7	13.000.00069-1	上前轴	Main shaft forepart	1	
8	13.000.00061-1	上挑线连杆	Upper tace-up thread link lever	1	
9	13.000.00061-2	螺钉	Screw	4	
10	13.000.00061-7	上挑线球曲柄	Upper tace-up thread ball crank	1	
11	17.03.00006	螺钉	Screw	2	
12	13.000.00064	上轴平衡块	Upper balance block	1	
13	17.01.00078	螺钉	Screw	2	
14	13.000.00053	联轴器	Link bearing	1	
15	17.03.00007	螺钉	Screw	3	
16	13.006.00023	上轴后节	Main shaft backside	1	
17	13.000.00067	上轴前衬套	Main shaft front bushing	1	
18	13.000.00068	上轴后衬套	Main shaft back bushing	1	
19	17.06.00007	轴承	Bushing	2	
20	13.000.00065	轴同步带轮	Follower wheel	1	
21	17.03.00011	螺钉	Screw	12	
22	20.02.03.00061	手轮	Main shaft back bushing	1	
23	17.01.00013	螺钉	Screw	2	
24	17.05.00033	平垫圈	Washer	1	
25	17.01.00108	螺钉	Screw	1	

7. 针杆部件/Needle bar assemblies



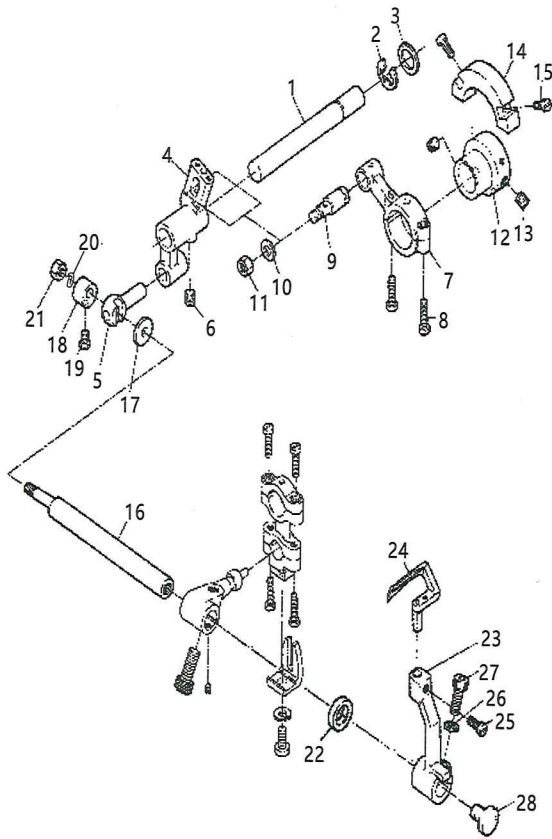
序号 Ref.No.	物料号 Part.No.	名称	Description	数量 Q'ty	备注 Remark
1	13.000.00070	针杆	Needle BAR	1	
2	16.05.00013	油线	Oil wick	1	
3	13.000.00071	油线夹	Oil wick holder	1	
4	13.000.00072	针夹头	Needle holder	1	
5	13.000.00073	机针	Needle	3	
6	17.01.00042	螺钉	Screw	3	
7	13.000.00074	针杆接头	Needle BAR connecting pole	1	
8	17.02.00097	螺钉	Screw	1	
9	13.000.00075	针杆连杆	Needle BAR link lever	1	
10	13.000.00076	针杆连接销	Needle BAR link pin	1	
11	17.06.00013	滚针轴承	Needle bearing	1	
12	17.05.00032	平垫圈	Washer	1	
13	13.000.00077-2	针杆滑块座	Needle BAR slide block seating	1	
14	13.000.00077-1	针杆滑块	Needle BAR slide block	1	
15	17.01.00091	螺钉	Screw	2	
16	17.05.00041	平垫圈	Washer	2	
17	17.01.00043	螺钉	Screw	1	
18	13.000.00079	油毡Φ12	Oil felt	1	
19	13.000.00080	油毡定位圈	Oil felt position loop	1	
20	13.000.00081	针板座	Needle plate link plate	1	
21	17.01.00090	螺钉	Screw	2	
22	17.01.00029	螺钉	Screw	1	
23	13.000.00082	防震垫Φ3.2	Shockproof plug	1	
24	13.000.00084	圆柱销Φ5×13	Needle plate link plate pin	2	
25	13.000.00083	针板	Needle plate	1	
26	17.01.00101	螺钉	Screw	2	

8. 护针部件/Needle guard assemblies

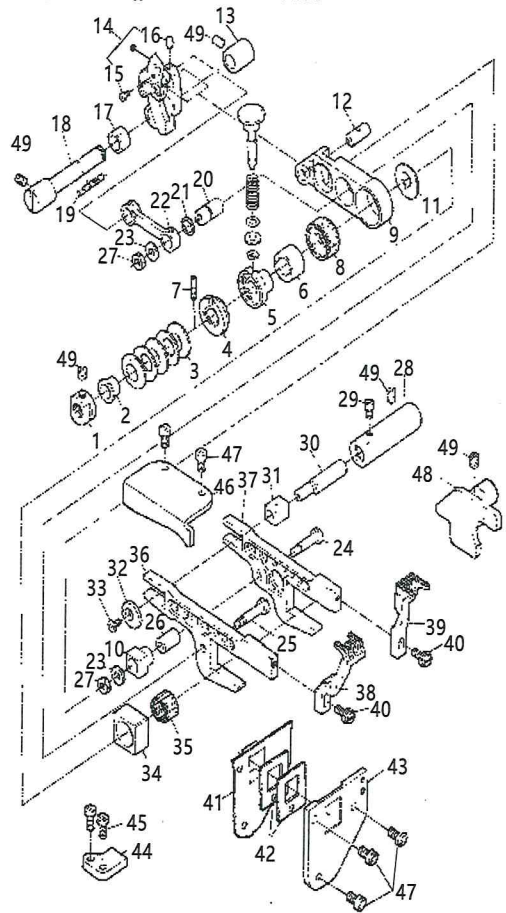


序号 Ref.No.	物料号 Part.No.	名称	Description	数量 Q'ty	备注 Remark
1	13.000.00061-9	下轴前衬套	Lower shaft front bushing ASM	1	
2	13.000.00055	O型圈	Bearing support	1	
3	17.06.00005	轴承	Bearing	1	
4	17.01.00013	螺钉	Screw	2	
5	13.000.00061-8	保针连杆	Needle guard connecting ROD	1	
6	13.000.00061-2	螺钉	Screw	2	
7	13.000.00085	保针曲柄	Needle guard crank	1	
8	13.000.00086	保针曲柄销	Needle guard crank pin	1	
9	17.01.00120	螺钉	Screw	1	
10	17.02.00172	螺钉	Screw	2	
11	13.000.00087	保针座	Needle guard base	1	
12	13.000.00088	后保针	Rear needle guard	1	
13	17.01.00036	螺钉	Screw	1	
14	17.05.00077	弹簧垫圈	Snap ring	1	
15	17.01.00008	螺钉	Screw	1	
16	13.000.00089	油封	plug	1	
17	13.000.00090	保针轴	Needle guard shaft	1	
18	16.05.00013	油线	Oil wick	1	
19	17.05.00039	平垫圈	Washer	1	
20	17.05.00022	开口挡圈7	Snap thrust ring	1	
21	13.000.00091-1	前保针	Screw	1	
22	13.000.00091-2	螺钉	Screw	1	

9、弯针部件/Looper assemblies



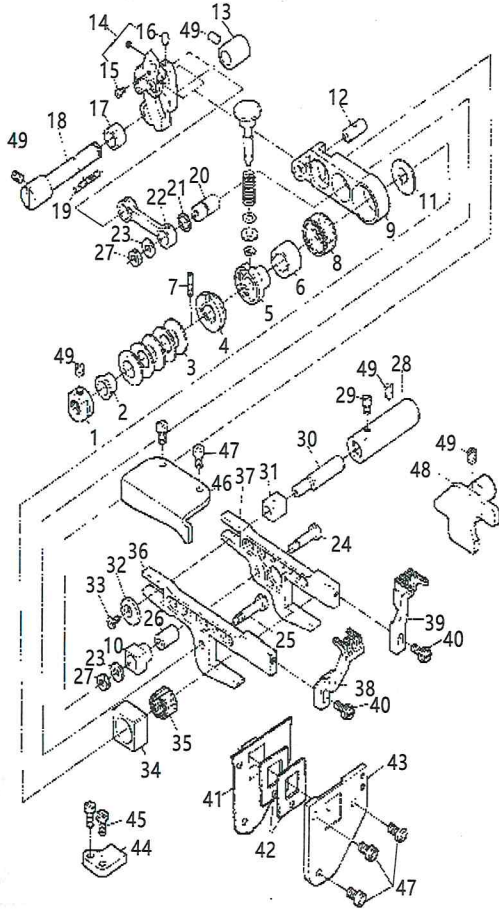
10、牙架部件/Feed dog holder assemblies



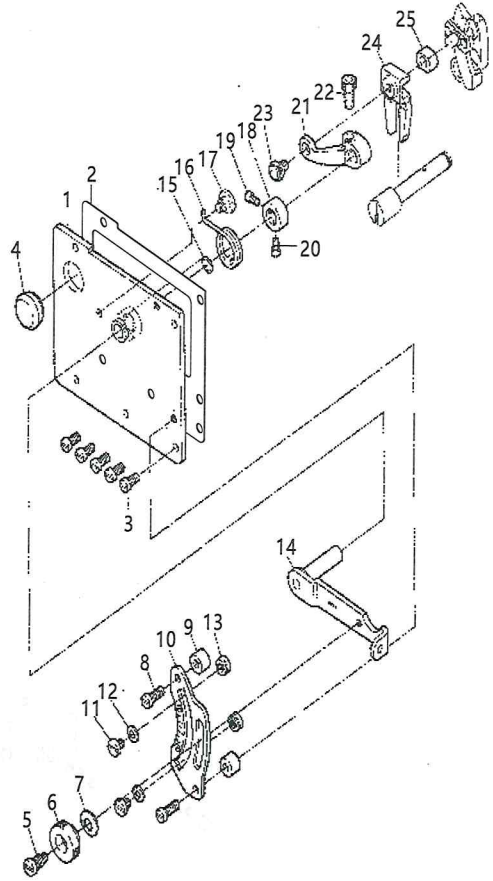
序号 Ref.No.	物料号 Part.No.	名称	Description	数量 Q'ty	备注 Remark
1	13.000.00092	弯针调节摆轴	Looper regulate driving shaft	1	
2	17.05.00022	开口挡圈7	Snap thrust ring	1	
3	17.05.00039	平垫圈	Washer	1	
4	13.000.00093-1	弯针摆动架	Regulator driving BAR	1	
5	13.000.00093-2	摆轴接头	Connecting pole	1	
6	17.01.00013	螺钉	Screw	1	
7	13.000.00061-10	弯针连杆	Looper link lever ASM	2	
8	13.000.00061-2	螺钉	Screw	1	
9	13.000.00095	弯针调节柱	Looper regulator pole	1	
10	17.05.00033	平垫圈	Washer	1	
11	17.04.00010	螺母	NUTM5	1	
12	13.000.00061-11	摆架偏心轮	Eccentricity CAM	1	
13	17.01.00013	螺钉	Screw	2	
14	13.000.00096	平衡块	Lower balance block	1	
15	17.01.00021	螺钉	Screw	2	
16	13.000.00097	弯针架轴	Looper shaft	1	
17	17.05.00034	平垫圈	Washer	1	
18	13.000.00098	偏心紧圈	Eccentricity thrust ring	1	
19	17.02.00044	螺钉	Screw	1	
20	17.05.00076	标准型弹簧垫圈4	Snap rign	1	
21	17.04.00015	螺母	NUTM4	1	
22	13.000.00009	油封	plug	1	
23	13.000.00099	弯针曲柄	Looper crank	1	
24	13.000.00091	弯针	Looper	1	
25	17.01.00043	螺钉	Screw	1	
26	17.05.00077	标准型弹簧垫圈5	Snap rign	1	
27	17.01.00062	螺钉	Screw	1	
28	17.01.00030	螺钉	Screw	1	

序号 Ref.No.	物料号 Part.No.	名称	Description	数量 Q'ty	备注 Remark
1	13.000.00100	凸轮螺母	CAM nut	1	
2	13.000.00101	台阶套	Ladder bushing	1	
3	17.05.00027	鞍形弹性垫圈	Wave washer	5	
4	13.000.00123	针距调节套	Needle distance regulator bushing	1	
5	13.000.00124	送布调节凸轮	Feed dog regulator CAM	1	
6	13.000.00125	凸轮	CAM	1	
7	17.01.00006	螺钉	Screw	1	
8	17.06.00015	滚针轴承	Needle bearing	1	
9	13.000.00102-1	送布连杆	Feed dog link lever	1	
10	13.000.00102-2	送布滑块	Feed dog slide bolck	1	
11	13.000.00104	送布连杆垫圈	Feed dog link lever washer	1	
12	13.000.00105	差动送布连杆销	Feed dog link lever pin	1	
13	13.000.00106	差动器轴套	Differential feed bushing	1	
14	13.000.00126	差动器组件	Differential feed assembly	1	
15	13.000.00126-1	螺钉	Screw	1	
16	17.01.00015	螺钉	Screw	1	
17	13.000.00107	差动器隔套	Differential feed spacer	1	
18	13.000.00108	差动器轴	Differential feed shaft	1	
19	16.05.00013	油线	Oil wick	1	
20	13.000.00109	送布连杆销	Feed dog link lever pin	1	
21	17.05.00013	夹紧挡圈	Snap ring	1	
22	13.000.00110	差动送布连杆	Differential feed link lever	1	
23	17.05.00035	平垫圈	Washer	2	
24	17.02.00013	螺钉	Screw	1	
25	17.02.00014	螺钉	Screw	1	
26	13.000.00111	送布滑块套	Feed dog slide block bushing	1	
27	17.04.00021	螺母	NUT	2	
28	13.000.00112	偏心轴套	Eccentric bushing	1	
29	17.02.00202	螺钉	Screw	1	
30	13.000.00113	牙架偏心轴	Eccentric shaft	1	
31	13.000.00113	牙架后滑块	Feed dog rack back slide block	1	
32	13.000.00115	牙架偏心垫片	Washer	1	
33	17.02.00206	螺钉	Screw	1	
34	13.000.00116	牙架前滑块	Feed rack front slide block	1	
35	17.06.00014	滚针轴承	Needle bearing	1	

10、牙架部件/Feed dog holder assemblies



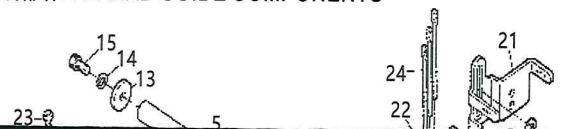
11、差动部件/Differential assemblies



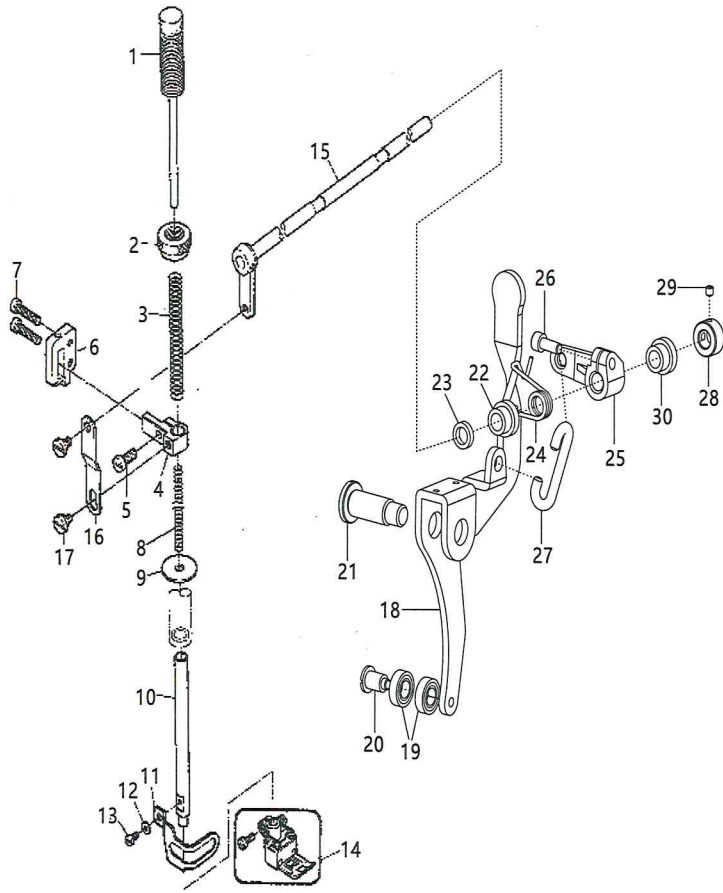
序号 Ref.No.	物料号 Part.No.	名称	Description	数量 Q'ty	备注 Remark
36	13.000.00127-1	差动牙架	Differential feed back	1	
37	13.000.00127-2	送布牙架	Feed dog rack	1	
38	13.000.00128-1	差动牙齿	Differential feed dog	1	
39	13.000.00128-2	送布牙齿	Main feed dog	1	
40	17.02.00181	螺钉	Screw	2	
41	13.000.00117	垫板	Washer	2	
42	13.000.00118	胶垫片	Rubber washer	2	
43	13.000.00119	弯针盖	Looper cover	1	
44	13.000.00120	左限位板	Left stopper plate	1	
45	17.01.00090	螺钉	Screw	2	
46	13.000.00121	牙架上限位板	Feed rack upper stopper plate	1	
47	17.01.00043	螺钉	Screw	5	
48	13.000.00122	压架右限位板	Feed rack right stopper plate	1	
49	17.01.00013	螺钉	Screw	5	

序号 Ref.No.	物料号 Part.No.	名称	Description	数量 Q'ty	备注 Remark
1	13.000.00129	差动调节板	Differential feed regulating plate	1	
2	13.000.00130	红纸垫	Ladder bushing	1	
3	17.01.00043	螺钉	Screw	5	
4	13.000.00131	油封堵	Needle distance regulator bushing	1	
5	17.02.00018	螺钉	Screw	1	
6	17.04.00001	螺母	Nut	1	
7	17.05.00025	鞍形弹性垫圈	Wave washer	1	
8	17.01.00091	螺钉	Screw	2	
9	13.000.00132	刻度板隔套	Graduation plate spacer	2	
10	13.000.00133	差动调节刻度板	Differential feed regulating graduation plate	1	
11	17.02.00169	螺钉	Screw	2	
12	17.05.00035	平垫圈	Washer	4	
13	17.02.00015	对边缘锁紧螺母	NUT	2	
14	13.000.00134	调节杆	Adjusting rod ASM	1	
15	13.000.00135	O型圈	Ring	1	
16	13.000.00136	差动扳手复位弹簧	Differential feed regulating return spring	1	
17	17.01.00046	螺钉	Screw	1	
18	13.000.00137	差动扳手紧圈	Differential feed shaft	1	
19	17.02.00269	螺钉	Screw	1	
20	17.02.00167	螺钉	Screw	1	
21	13.000.00138	差动调节曲柄	Differential feed regulating crank	1	
22	17.01.00062	螺钉	Screw	1	
23	17.02.00177	螺钉	Screw	1	
24	13.000.00139-1	差动调节吊板	Differential feed regulating fork plate	1	
25	13.000.00139-2	滑块	Slide block	1	

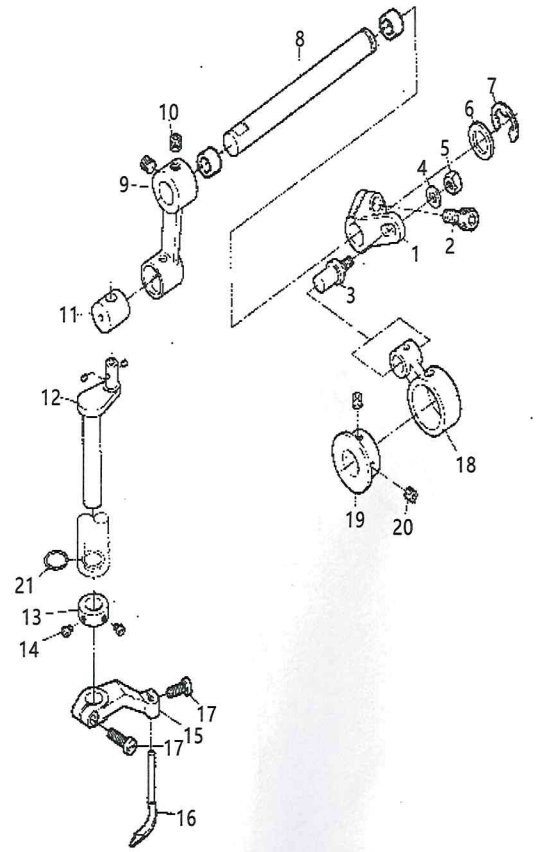
15、过线部件/THREAD GUIDE COMPONENTS



12. 抬压脚部件/PRESSER FOOT LIFTER COMPONENTS



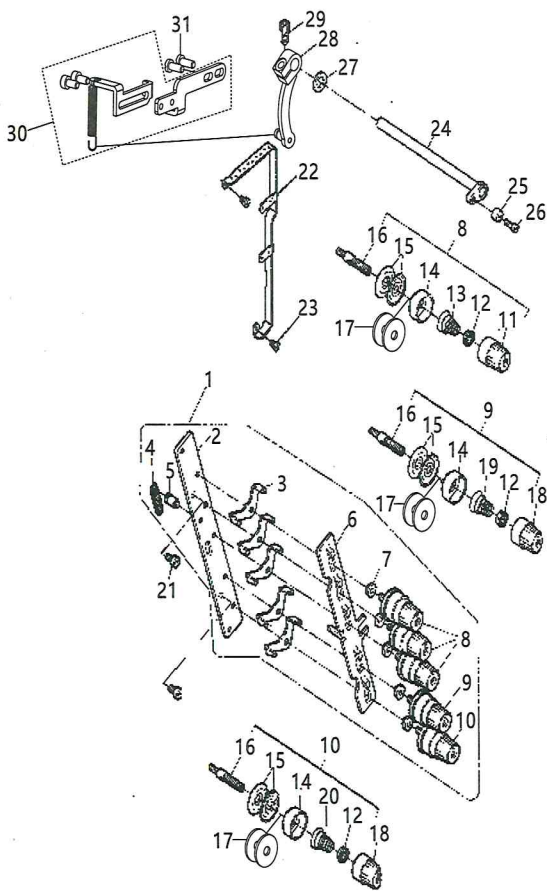
13. 绷针部件/STRETCH NEEDLE COMPONENTS



序号 Ref.No.	物料号 Part.No.	名称	Description	数量 Q'ty	备注 Remark
1	13.000.00157-1	调压螺钉	Adjusting screw	1	
2	13.000.00157-2	调压螺母	Adjusting nut	1	
3	13.000.00140	调压弹簧	Presser regulating spring	1	
4	13.000.00141	压杆导架	Presser BAR guide bracket	1	
5	17.02.00173	螺钉	Screw	1	
6	13.000.00142	压杆导架座	Presser BAR guide bracket base	1	
7	17.01.00093	螺钉	Screw	2	
8	13.000.00143	调压内弹簧	Presser regulating inner spring	1	
9	13.000.00144	防油套	Rubber washer	1	
10	13.000.00145	压紧杆	Presser BAR	1	
11	13.000.00146	压紧杆防护罩	Presser BAR shield	1	
12	17.05.00040	平垫圈	Washer	1	
13	17.01.00082	螺钉	Screw	1	
14	13.000.00158	压脚组件	Presser foot	1	
15	13.006.00032	抬压脚轴组件	Presser foot lifting shaft	1	
16	13.000.00147	抬压脚甲板	Presser foot lifting steeve	1	
17	17.02.00179	螺钉	Screw	2	
18	13.006.00028	自动抬压脚杠杆	Presser foot lifting lever	1	
19	17.06.00016	滚针轴承	Needle bearing	2	
20	13.006.00030	抬压脚扳手套	Screw	1	
21	17.01.00153	螺钉	Screw	1	
22	13.006.00002	抬压脚轴套(短)	Foot-lifting bushing	1	
23	13.000.00144	防油套	Oil seal	1	
24	13.006.00025	抬压左曲柄复位簧	Return spring	1	
25	13.006.00026	抬压脚曲柄	Feet lifting crank	1	
26	17.01.00079	螺钉	Screw	1	
27	13.006.00027	抬牙轴左曲柄簧	Feet lifting lever	1	
28	13.000.00149-1	抬压脚轴紧圈	Retainer ring	1	
29	13.000.00149-2	螺钉	Screw	1	
30	13.006.00001	抬压脚轴套(长)	Foot-lifting bushing	1	

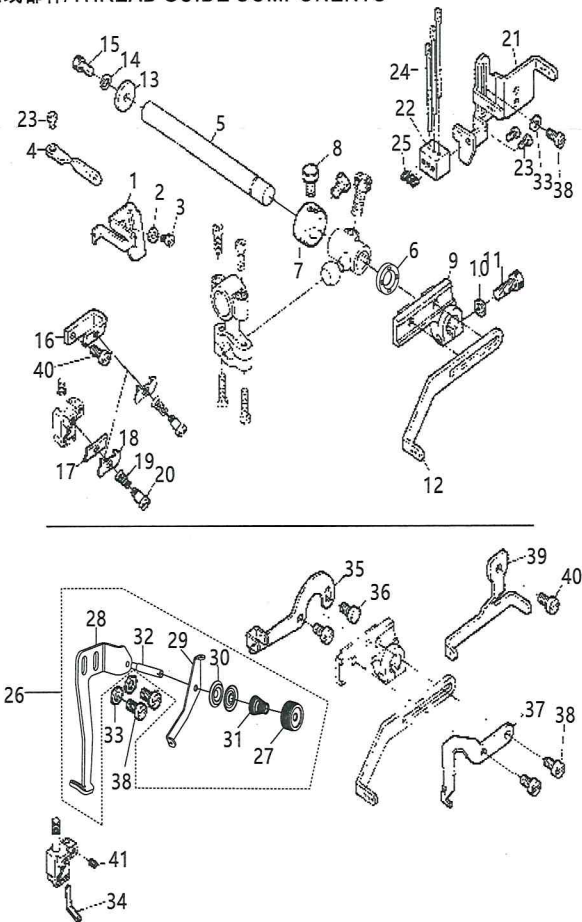
序号 Ref.No.	物料号 Part.No.	名称	Description	数量 Q'ty	备注 Rem.
1	13.000.00160	绷针调节摆杆	Regulate oscillating BAR	1	
2	17.03.00006	螺钉	Screw	1	
3	13.000.00168	螺钉	Screw	1	
4	17.05.00033	平垫圈	Washer	1	
5	17.04.00010	螺母	NUTM5	1	
6	17.05.00038	平垫圈	Washer	1	
7	17.05.00067	开口挡圈	Snap ring	1	
8	13.000.00161	绷针横轴	Stretch tight needle crossing shaft	1	
9	13.000.00164-1	绷针上摆轴	Upper oscillating BAR	1	
10	17.03.00011	螺钉	Screw	2	
11	13.000.00164-2	绷针连接柱	Stretch tight needle connecting pole	1	
12	13.000.00164-3	绷针曲柄	Stretch tight needle crank	1	
13	13.000.00165	绷针紧圈	Thrust ring	1	
14	17.01.00004	螺钉	Screw	2	
15	13.000.00166	绷针下摆杆	Lower oscillating BAR	1	
16	13.000.00167	绷针	Stretch tight needle	1	
17	17.01.00091	螺钉	Screw	1	
18	13.000.00069-2	绷针连杆	Stretch tight needle link lever	1	
19	13.000.00069-3	绷针凸轮	Stretch tight needle CAM	1	
20	17.01.00010	螺钉	Screw	2	
21	17.05.00043	平垫圈	Washer	1	

4. 过线器部件/THREAD GUIDE MECHANISM COMPONENTS



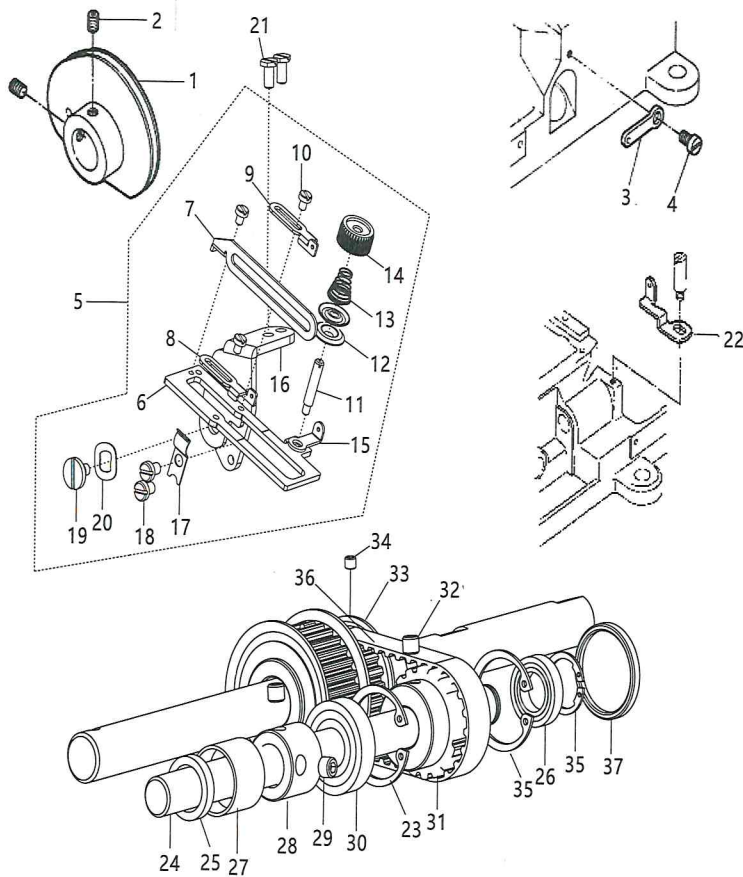
序号 Ref.No.	物料号 Part.No.	名称	Description	数量 Q'ty	备注 Remark
1	13.000.00172	夹线器大组件	Thread tension spring ARM	1	
2	13.000.00172-1	挺线板	Thread eyelet base	1	
3	13.000.00172-2	二孔过线板	Thread guide plate2	5	
4	13.000.00172-3	螺钉	Screw	1	
5	13.000.00172-4	挺线板弹簧	Spring	1	
6	13.000.00172-5	过线座	Thread eyelet base	2	
7	13.000.00172-6	隔套	Spacer	5	
8	13.000.00172-7	夹线器组件A	Thread tension spring ARM A	3	
9	13.000.00172-8	夹线器组件B	Thread tension spring ARM B	1	
10	13.000.00172-9	夹线器组件C	Thread tension spring ARM C	1	
11	13.000.00172-10	夹线螺母(红)	Thread tension nut red	1	
12	13.000.00172-11	夹线防松圈	Thread tension ring	1	
13	13.000.00172-12	夹线簧φ1	Thread tension spring	1	
14	13.000.00172-13	夹线座	Thread tension base	1	
15	13.000.00172-14	夹线板	Wood screw	2	
16	13.000.00172-15	螺钉	Screw	1	
17	13.000.00172-16	夹线棉垫	Wool felt	2	
18	13.000.00172-17	夹线螺母(黄)	Thread tension nut yellow	1	
19	13.000.00172-18	夹线簧φ0.6	Thread tension spring	1	
20	13.000.00172-19	夹线簧φ0.8	Thread tension spring	1	
21	17.01.00043	螺钉	Screw	2	
22	13.000.00169	过线架	Thread eyelet stand	1	
23	17.01.00036	螺钉	Screw	2	
24	13.000.00173	挺线杆组件	Thread eyelet base shaft	1	
25	13.000.00170	隔套	Spacer	1	
26	17.02.00168	螺钉	Screw	1	
27	17.05.00037	平垫圈	Washer	1	
28	18.02.06.00020-12	挺线杆曲柄	Thread eyelet base shaft crank	1	
29	17.01.00079	螺钉	Screw	1	
30	18.02.06.00020-13	复位组件	Screw	1	
31	18.02.06.00020-14	螺钉	Screw	2	

15. 过线部件/THREAD GUIDE COMPONENTS

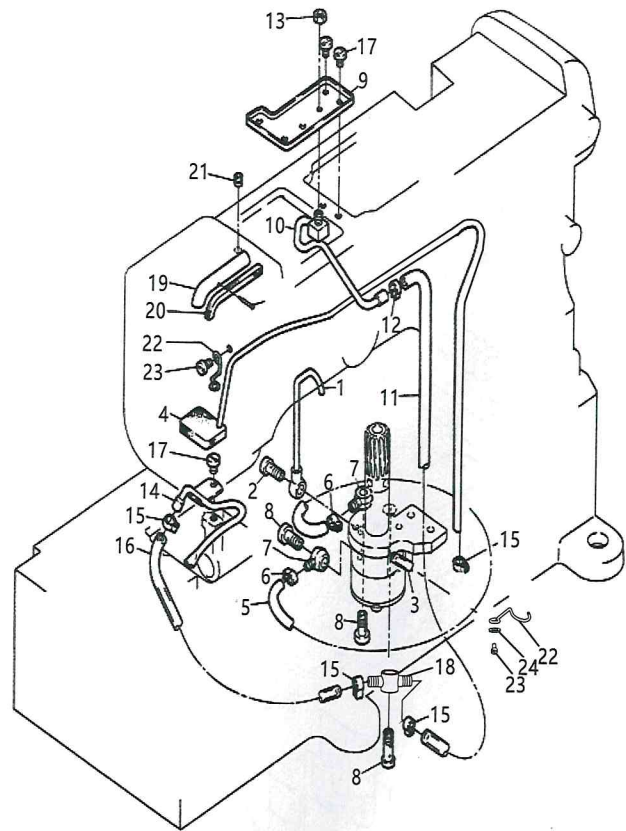


序号 Ref.No.	物料号 Part.No.	名称	Description	数量 Q'ty	备注 Remark
1	13.006.00007	面线紧勾	Thread take-up shield	1	
2	17.05.00040	平垫圈	Washer	1	
3	17.01.00082	螺钉	Screw	1	
4	13.006.00033	针杆上过线	Needle bar top thread guide	1	
5	13.001.00021	挑线杆轴	Thread take-up lever shaft	1	
6	13.000.00009	油封	plug	1	
7	13.000.00178	挑线杆轴紧圈	Thrust ring	1	
8	17.02.00183	螺钉	Screw	2	
9	13.000.00179	挑线杆座	Thread take-up lever base	1	
10	17.05.00077	标准型弹簧垫圈5	Snap rign	1	
11	17.01.00062	螺钉	Screw	1	
12	13.000.00180	挑线杆	Thread take-up lever	1	
13	17.05.00031	平垫圈	Screw	1	
14	17.05.00076	标准型弹簧垫圈4	Snap rign	1	
15	17.01.00011	螺钉	Screw	1	
16	13.000.00181	U型夹线座	Thread guide base	1	
17	13.000.00182	针杆过线板	Thread guide plate	1	
18	13.000.00183	针杆过线压板	Thread guide pressing plate	1	
19	13.000.00184	针杆过线弹簧	Thread eyelet spring	1	
20	17.01.00033	螺钉	Screw	1	
21	13.000.00185	硅油合固定架	Silicone thread guide base	1	
22	13.000.00186	针杆过线座	Silicone thread guide base	1	
23	17.01.00083	螺钉	Screw	3	
24	13.000.00187	过线杆	Thread eyelet guided nail	3	
25	17.01.00012	螺钉	Screw	3	
26	13.000.00192	细针过线组件	Thread guide	1	
27	13.000.00192-1	细针过线螺帽	Adjusting nut	1	
28	13.000.00192-2	细针过线下过线板	Lower thread guide plate	1	
29	13.000.00192-3	细针过线板	Thread guide plate	1	
30	13.000.00192-4	过线压板	Presser plate	2	
31	13.000.00192-5	弹簧	Presser spring	1	
32	13.000.00192-6	螺钉	Screw	1	
33	17.05.00041	平垫圈	Washer	3	
34	13.000.00188	针夹右过线杆	Thread eyelet right BAR	1	
35	13.000.00189	张线杆	Thread eyelet guide lever	1	
36	17.01.00022	螺钉	Screw	2	
37	13.000.00190	上叉挑线杆	Thread take-up lever	1	
38	17.01.00043	螺钉	Screw	5	
39	13.000.00191	细针上导线杆	Upper thread guide plate	1	
40	17.01.00036	螺钉	Screw	2	

16、下过线部件/LOWER THWER TENSION COMPONENTS



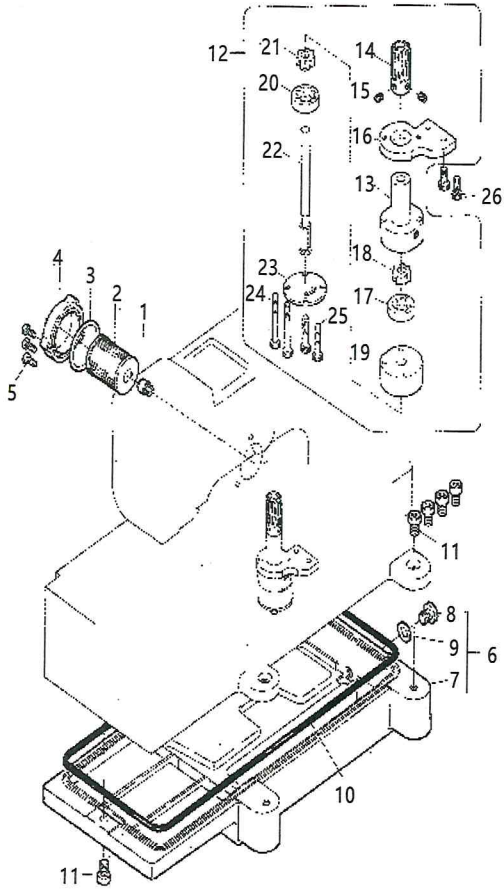
17、供油部件/LUBRICATION MECHNISM COMPONENTS



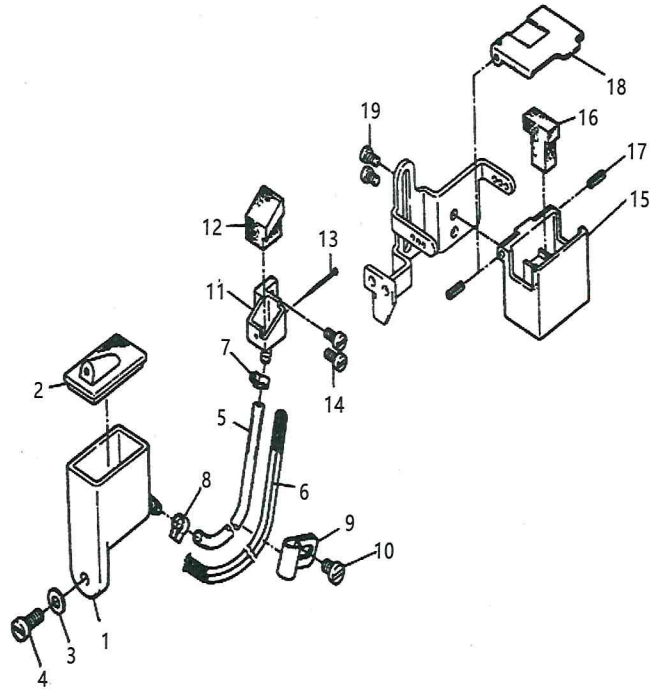
序号 Ref.No.	物料号 Part.No.	名称	Description	数量 Q'ty	备注 Remark
1	13.000.00200	凸轮组件	CAM ASM	1	
2	17.01.00010	螺钉	Screw	2	
3	13.000.00193	过线板	Thread guide plate	1	
4	17.01.00036	螺钉	Screw	1	
5	13.000.00201	打线架组件	Bracket	1	
6	13.000.00201-1	打线架	Bracket	1	
7	13.000.00201-2	打线片	Thread guide	1	
8	13.000.00201-3	左过线片	Thread guide (left)	2	
9	13.000.00201-4	右过线片	Thread guide (right)	1	
10	17.01.00019	螺钉	Screw	3	
11	13.000.00201-5	螺钉	Screw	1	
12	13.000.00201-6	过线压板	Presser plate	2	
13	13.000.00201-7	弹簧	Press spring	1	
14	13.000.00201-8	绷针过线螺帽	Tension nut	1	
15	13.000.00201-9	小夹线过线板	Thread guide	1	
16	13.000.00201-10	打线座	Bracket	1	
17	13.000.00201-11	卡簧片	Clamp	1	
18	13.000.00201-12	螺钉	Screw	2	
19	13.000.00201-13	螺钉	Screw	1	
20	17.05.00030	波形垫圈	Washer	2	
21	17.01.00100	螺钉	Screw	2	
22	13.000.00194	弯针过线板	Therad guide plate	1	
23	17.05.00010	弹性挡圈	Snap rign	1	
24	13.000.00195	打线凸轮轴	Shaft	1	
25	13.006.00022	油封φ12	plug	1	
26	17.06.00003	轴承	Bushing	1	
27	13.006.00020	打线凸轮铜套	bushing	1	
28	13.006.00021	打线凸轮铜套紧圈	bushing	1	
29	17.03.00011	螺钉	Screw	2	
30	17.06.00002	轴承	Bushing	1	
31	13.000.00196	小同步带轮1	Small gear1	1	
32	17.03.00011	螺钉	Screw	2	
33	13.000.00197	小同步带轮2	Small gear2	1	
34	17.01.00126	螺钉	Screw	2	
35	17.05.00012	弹性挡圈	Snap rign	2	
36	13.000.00198	小同步带	Small timing belt	1	
37	13.000.00199	油封Φ28.5	plug	1	

序号 Ref.No.	物料号 Part.No.	名称	Description	数量 Q'ty	备注 Remark
1	13.000.00202	铜油管	Oil pipe	1	
2	17.02.00016	螺钉	Screw	1	
3	17.01.00035	螺钉	Screw	1	
4	13.000.00049	上轴回油管组件	Oil tube	1	
5	16.05.00014	油管	Oil tube	1	
6	13.000.00203	卡簧7	Clamp	2	
7	13.000.00204	油管接头	Terminal(single hole)	2	
8	17.02.00012	螺钉	Screw	3	
9	13.000.00205	上油盘	Upper oil tube	1	
10	13.000.00206	油管组件	Oil tube complete	1	
11	16.05.00014	油管	Oil tube	1	
12	13.000.00207	卡簧6.5	Clamp	1	
13	17.04.00015	螺母	Nut M4	1	
14	13.000.00208	下油管	Lower oil tube complete	1	
15	13.000.00209	卡簧6.2	Clamp	4	
16	16.05.00014	油管	Oil tube	1	
17	17.01.00022	螺钉	Screw	3	
18	13.000.00210	油管接头 (双)	Terminal	1	
19	13.000.00212	铜油管	Oil pipe	1	
20	13.000.00213	羊毛毡	Wool felt	1	
21	17.01.00078	螺钉	Screw	1	
22	13.000.00211	油管定位钩	Oil tube holder	2	
23	17.01.00043	螺钉	Screw	2	
24	17.01.00043	平垫圈	Warsher	1	

18、油泵部件/PUMP COMPONENTS



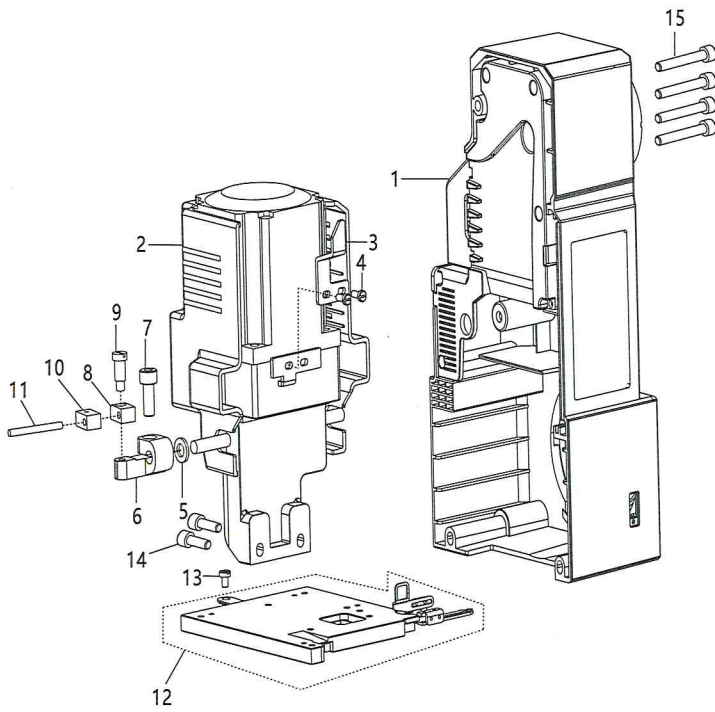
19、机针冷却器部件/NEEDLE COOLING MECHANISM COMPONENTS



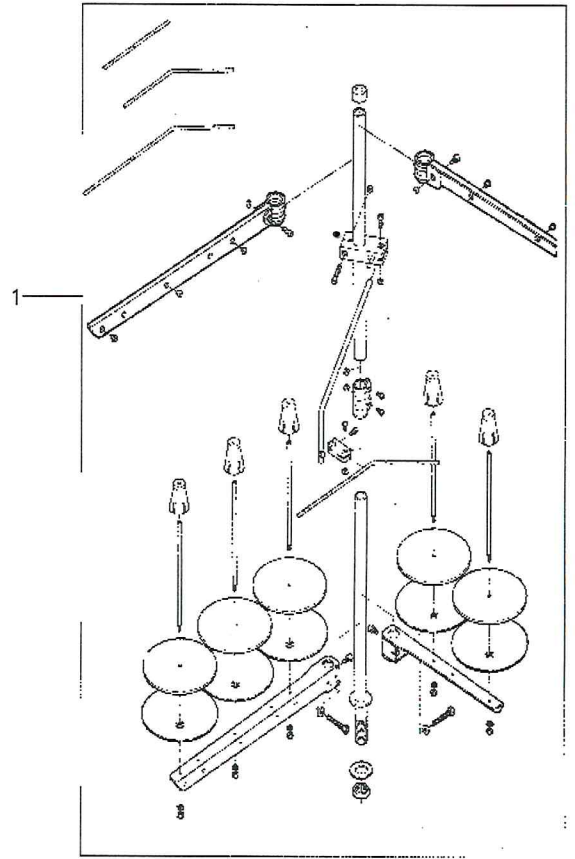
序号 Ref.No.	物料号 Part.No.	名称	Description	数量 Q'ty	备注 Remark
1	13.000.00214	滤油器螺钉	Pump filter screw SM3/8"×28	1	
2	13.000.00215	滤油器	Pump filter	1	
3	13.000.00216	O形圈	O-ring	1	
4	20.02.03.00062	滤油器盖	Pump filter cover	1	
5	17.01.00091	螺钉	Screw	3	
6		油盘组件	Oil pan ASM	1	
7	13.000.00218	油盘	Oil pan	1	
8	17.02.00017	螺钉	Screw	5	
9	13.000.00219	油封	plug	1	
10	13.000.00217	油盘垫	Oil protecting gasket	1	
11	17.01.00009	螺钉	Screw	1	
12	13.000.00220	油泵组件	Pump complete	1	
13	13.000.00220-1	油泵体	Upper pump body	1	
14	13.000.00220-2	油泵蜗轮	Small gear wheel	1	
15	17.01.00078	螺钉	Screw	2	
16	13.000.00220-3	固定板	Fixing plate	1	
17	13.000.00220-4	外齿轮	Inner gear wheel	1	
18	13.000.00220-5	内齿轮	Gear wheel(LOWER)	1	
19	13.000.00220-6	油泵体壳	Pump body	1	
20	13.000.00220-7	长轴外齿轮	Inner gear wheel	1	
21	13.000.00220-8	长轴齿轮	Gear wheel(UPPER)	1	
22	13.000.00220-9	油泵齿轮长轴	Shaft	1	
23	13.000.00220-10	油泵底板	Motherboard	1	
24	13.000.00220-11	螺钉	Screw	2	
25	13.000.00220-12	螺钉	Screw	2	
26	17.01.00141	螺钉	Screw	2	

序号 Ref.No.	物料号 Part.No.	名称	Description	数量 Q'ty	备注 Remark
1	13.000.00221	硅油盒	Silicone oil resevoir	1	
2	13.000.00222	硅油盒盖	Silicone oil resevoir cover	1	
3	17.05.00041	平垫圈	Washer	1	
4	17.01.00090	螺钉	Screw	1	
5	16.05.00014	油管	Oil tube	1	
6	16.05.00013	油线	Oil wick	1	
7	13.000.00209	卡簧6.2	Clamp	1	
8	13.000.00207	卡簧6.5	Clamp	1	
9	13.000.00223	油线压板	Oil wick press plate	1	
10	17.01.00022	螺钉	Screw	1	
11	13.000.00224	硅油盒壳体	Silicone oil resevoir body	1	
12	13.000.00225	硅油盒壳体油毡	Silicone oil resevoir felt	1	
13	16.05.00021	大头针	Pin	1	
14	17.01.00020	螺钉	Screw	2	
15	13.000.00226	上硅油盒	Silicone oil case(upper)	1	
16	13.000.00227	上硅油盒油毡	Silicone oil felt(upper)	1	
17	13.000.00229	上硅油盒弹簧圆柱销	Elastic pin	2	
18	13.000.00228	上硅油盒盖	Silicone oil cover(upper)	1	
19	17.01.00146	木螺钉	Screw	2	

20、电机部件/STEPMOTOR COMPONENTS

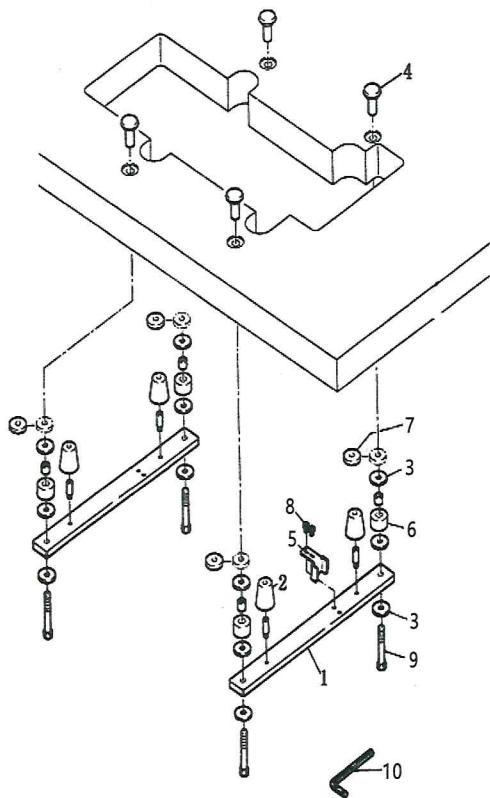


21、线架部件/THREAD STAND COMPONENTS



序号 Ref.No.	物料号 Part.No.	名称	Description	数量 Q'ty	备注 Remark	序号 Ref.No.	物料号 Part.No.	名称	Description	数量 Q'ty	备注 Re
1	18.02.01.00027	电控组件	Electronic control component	1		1	15.04.00032	线架组件	Thread stand complete	1套	
2	18.02.06.00020-1	步进电机	Steptomotor	1							
3	18.02.06.00020-2	挡板	Guard	1							
4	18.02.06.00020-3	螺钉	Screw	1							
5	18.02.06.00020-4	橡胶垫	Rubber cushion	1							
6	18.02.06.00020-5	步进剪线曲柄	Stepping thread cutting crank	1							
7	18.02.06.00020-6	螺钉	Screw	1							
8	18.02.06.00020-7	垫块	Heel	1							
9	18.02.06.00020-8	螺钉	Screw	1							
10	18.02.06.00020-9	垫块	Heel	1							
11	18.02.06.00020-10	销	Crankpin	1							
12	13.001.00085-1	自动拔线装置	Wire cutter assembly	1							
13	13.001.00085-2	螺钉	Screw	1							
14	18.02.06.00020-11	螺钉	Screw	2							
15	17.01.00122	螺钉	Screw	4							

2、附件/ACCESSORIES PARTS



序号 ef.No.	物料号 Part.No.	名称	Description	数量 Q'ty	备注 Remark
1	15.05.00024	支撑板	Oil pipe	1套	
2	15.05.00014	防震套	Screw	4	
3	15.05.00033	大垫圈12	Screw	8	
4	15.05.00013	托盘螺钉固定头螺母	Oil tube	4	
5	15.05.00023	拉链限位板	Oil tube	1	
6	15.05.00020	橡胶垫Φ10	Terminal(single hole)	4	
7	15.05.00031	塑料垫圈	Screw	4	
8	17.01.00036	螺钉	Oil tube complete	2	
9	15.05.00012	托盘螺钉固定头螺钉	Oil tube	4	
10	15.04.00007	内六角	Clamp	1套	