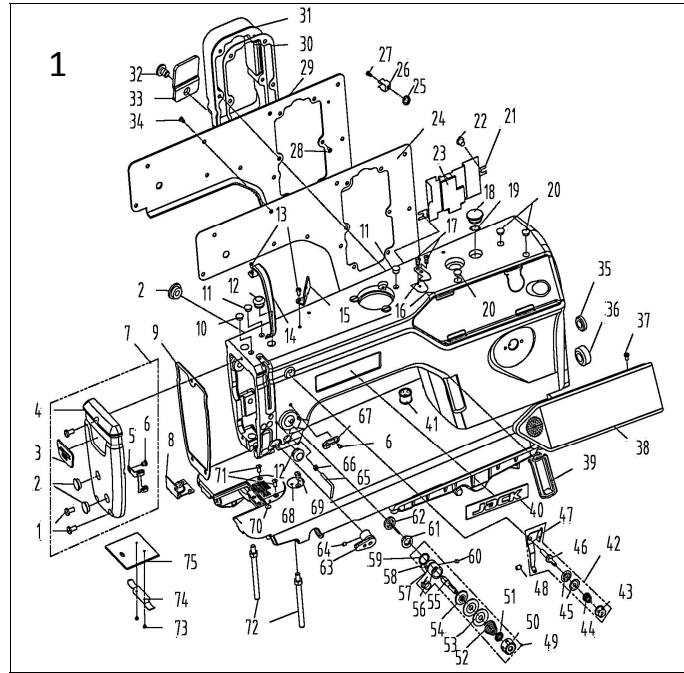
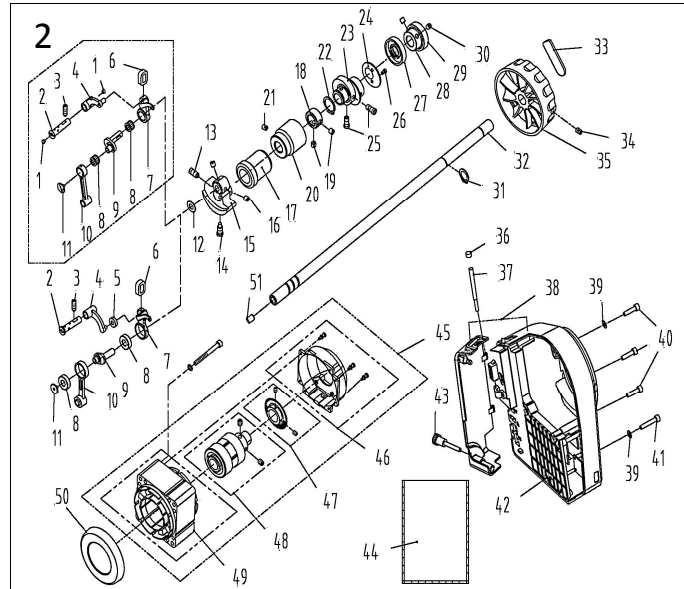


A6F 系列 A6F Series



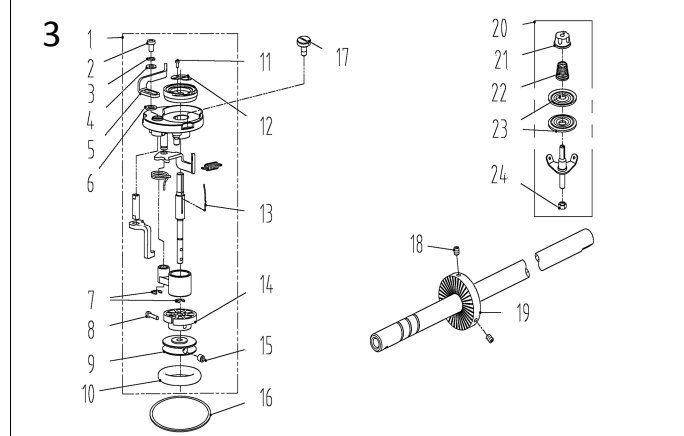
1. 机壳、外装部件/Machine Frame & Miscellaneous Cover Components

序号 NO	公司件号	Part NO	名称	PartName	零件描述	Description	数量	Number
1	101511001		后盖螺钉	Screw SM3/16" x 28 L=9			3	
2	10122003		面板调节孔塞	Rubber plug			1	
3	14437001		面板板	Head card			1	
4	14401005		面板	Face plate			1	
5	13813005		左线轴	Thread guide left			1	
6	101511007		右线轴螺钉	Screw SM11/64" x 40 L=6			2	
7	303979		面板(喷漆)	Face plate asm			1	
8	14422001		针杆油封套	Needle bar oil seal set			1	
9	14422004		面板垫	Face plate gasket			1	
10	13122003		针杆孔塞	Rubber plug			1	
11	10122005		挑线连杆销孔塞	Rubber plug			1	
12	10122004		针杆曲柄销孔塞	Rubber plug			2	
13	101511004		挑线杆护套螺钉 SM3/16" x 28 L=7	Screw SM3/16" x 28 L=7			1	
14	138112018		挑线杆防护罩	Thread take-up lever cover			1	
15	13512004		三孔线轴	3-hole thread guide			1	
16	11419001		割线刀	Knife			1	
17	114511015		割线刀螺钉	Screw			1	
18	21022007		油圈	Rubber plug			1	
19	21012018		油封垫	Oil sealing washer			1	
20	13822001		操作屏孔塞	Rubber plug			3	
21	14412021		隔油板	Oil preventing plate			1	
22	141511002		圆柱头螺钉 SM3/16" x 28	Screw SM3/16" x 28			2	
23	14423002		后盖板棉	Oil cotton			1	
24	14422005		后盖板垫	Side plate gasket			1	
25	10128016		橡胶脚垫(喷漆)	Washer			1	
26	13812007		凸盖	Buckle			1	
27	504021		螺钉	Screw			1	
28	101511001		后盖板螺钉 SM3/16" x 28 L=9	Screw SM3/16" x 28 L=9			6	
29	303978		后盖板(喷漆)	Side plate			1	
30	14422002		拾压电磁铁线圈垫	Flat pad			1	
31	303980		拾压脚电磁铁线圈(喷漆)	Presser foot electromagnet cover plate			1	
32	101511033		油盖	Screw			1	
33	14412022		电线夹	Wire clamp			1	
34	101511001		后盖板螺钉 SM3/16" x 28 L=9	Screw SM3/16" x 28 L=9			12	
35	10122006		送料调节孔塞	Rubber plug			1	
36	10122007		下轴工艺孔塞	Rubber plug			1	
37	13850501		操作面板螺钉	Screw			2	
38	14430021		操作面板组件(喷漆)	Control panel/axing			1	
39	14422007		装饰条	Decorative article			1	
40	14437002		机头板	Head card			1	
41	14122001		橡皮脚(四孔)	Rubber plug			1	
42	141130040		小夹线器螺母	Thread tension asm			1	
43	141516019		小夹线器螺母	Thread tension nut			1	
44	11227001		小夹线器弹簧	Thread tension spring			1	
45	14112017		小夹线器板	Thread tension disk			2	
46	13810068		小夹线器柱	Thread tension post			1	
47	13812066		过线板	Thread tension guide plate			1	
48	138503006		小夹线器固定螺钉 SM3/16" x 28 L=7	Screw SM3/16" x 28 L=7			1	
49	141130000		夹线器零件(喷漆)	Thread tension asm			1	
50	141130000		夹线器零件(喷漆)	Thread tension asm (-H)			1	
51	141516013		夹线器螺母	Thread tension nut			1	
52	10112007		夹线器螺母	Thread disk rotating stopper			1	
53	10127002		夹线器螺母	Thread tension spring A			1	
54	11427050		夹线器螺母(厚料)	Thread tension spring A (-H)			1	
55	14112015		夹线器板	Thread tension disk			2	
56	14112016		夹线器板	Disk stopper			1	
57	141530001		夹线器螺母	Thread tension post			1	
58	10127001		挑线轴	Thread take-up spring			1	
59	10127031		挑线轴(厚料)	Thread take-up spring (-H)			1	
60	10103011		挑线轴调节座	Thread tension base			1	
61	101515005		挑线轴固定螺钉 SM9/64" x 40 L=5.5	Screw SM9/64" x 40 L=5.5			1	
62	10122014		挑线轴调节 O 型圈	Rubber ring			1	
63	101515010		左轴螺钉	Screw SM15/64" x 28 L=10.5			1	
64	14403003		松线线支持套	Loose wire nail support sleeve			1	
65	144300010		电子夹线器螺母	Needt less e-device			1	
66	207514007		G8/T80 齿差固定螺钉 M4 x 6	Screw M4x6			1	
67	13113001		固定式螺线筒	Thread guide			1	
68	401516001		螺母 SM9/64" x 40	Nut SM9/64" x 40			1	
69	10113004		右线轴	Thread guide right			1	
70	13812019		卷边器	Ruler stop seat			1	
71	10151002		卷边器螺钉	Screw SM11/64" x 40 L=5.5			1	
72	13115001		针板	Needle plate			1	
73	13115002		针板(厚料)	Needle plate (-H)			1	
74	104537002		针板螺钉	Screw SM11/64" x 40			2	
75	140512001		机头板	Machine head stud			2	
76	101511019		推板螺钉	Slide plate			2	
77	10127009		推板簧	Slide plate spring			1	
78	10151002		推板	Screw SM3/32" x 56 L=2			1	

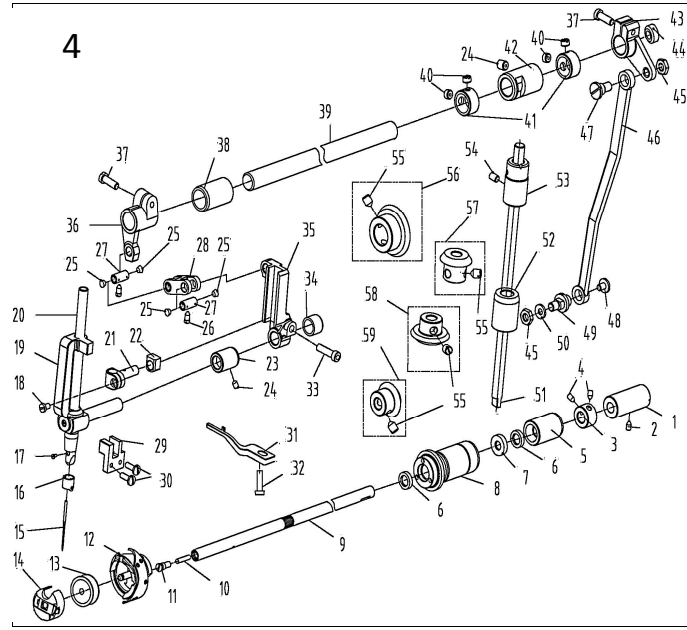


2. 上轴、挑线部件/Main Shaft & Thread Take-up Components

序号 NO	公司件号	Part NO	名称	PartName	零件描述	Description	数量	Number
1	13111002		塞子	Plug			2	
2	12226001		挑线杆销	Thread take-up connecting rod pin			1	
3	101515001		上轴螺钉	Screw SM15/64" x 28 L=15			1	
4	12205001		挑线杆(厚料)	Thread take-up connecting rod (-H)			1	
5	21305010		G8/T27.9 轴承 695ZZ	Bearing 695ZZ			1	
6	14422008		挑线杆轴套	Thread take-up lever rubber			1	
7	1223800100		挑线杆分组件	Thread take-up lever asm			1	
8	1133800200		挑线杆分组件(厚料)	Thread take-up lever asm (-H)			1	
9	904008		G8/T27.9 轴承 695ZZ	Bearing 695ZZ			1	
10	10124001		挑线杆轴套(厚料)	Needle thread guide (-H)			2	
11	13810012		挑线杆分组件	Thread take-up crank			1	
12	11310010		挑线杆分组件(厚料)	Thread take-up crank (-H)			1	
13	1440500400		针杆连杆	Needle bar connecting rod			1	
14	10105002		针杆轴套(厚料)	Needle bar connecting rod (-H)			1	
15	101517001		挑线杆轴套(左座)	Screw			1	
16	10112003		针杆轴套(厚料)	Needle bar crank protecting plate			1	
17	101515004		针杆轴套(厚料) SM9/32" x 28 L=16	Screw SM9/32" x 28 L=16			1	
18	101511003		针杆轴套(厚料) SM9/32" x 28 L=16	Screw SM9/32" x 28 L=16			1	
19	13804001		针杆轴套	Needle bar crank			1	
20	10404001		针杆轴套(厚料)	Needle bar crank (-H)			1	
21	101515002		送料轴套螺钉 SM1/4" x 40 L=6	Screw SM1/4" x 40 L=6			2	
22	1440300200		送料轴套	Main shaft bushing front			1	
23	10108001		送料轴套	Main shaft thrust collar			1	
24	101514001		送料轴套	Screw SM1/4" x 40 L=6			2	
25	144030001		送料轴套	Main shaft bushing mid			1	
26	101515006		送料轴套	Screw SM15/64" x 28 L=7			1	
27	H03002		送料轴套	Snap ring 20			1	
28	131310014		送料轴套	Feed eccentric cam			1	
29	101120017		送料轴套	Cover plate			1	
30	101511013		送料轴套	Screw SM1/4" x 40 L=13			2	
31	131310003		送料轴套	Screw SM9/32" x 40 L=5			2	
32	14422009		送料轴套	Oil seal			1	
33	14403008		送料轴套	Bearing bush			1	
34	806023		G8/T27.9-201.3 轴承 604-2RS	Needle bearing			1	
35	510018		G8/T80 齿差固定螺钉 M6 x 0.75 x 6	Screw M6x0.75x6			2	
36	H03001		G8/T89.4-1.98 齿圈 15	Snap ring 15			1	
37	14402001		送料轴套	Main shaft			1	
38	13811021		送料轴套	Handwheel lable			1	
39	510009		送料轴套	Screw			2	
40	302830		送料轴套	Handwheel			1	
41	12922015		送料轴套	Rubber plug			1	
42	13826009		送料轴套	Pin			1	
43	144113000		送料轴套	Eletronic control box			1	
44	W01009		G8/T97.1-1.985 垫圈 5	Washer 5			1	
45	114513001		送料轴套	Screw M5 x 20			3	
46	114530001		送料轴套	Screw M5 x 25			1	
47	14133002		送料轴套	Eletronic control box			1	
48	144530001		送料轴套	Screw			1	
49	13831001		送料轴套	Plastic bag 28x181cm 厚 0.03mm			1	
50	13833000		送料轴套	Servo motor			1	
51	1383300700		送料轴套	Encoder housing assembly			1	
52	1383300900		送料轴套	Motor sensor arm			1	
53	1383300400		送料轴套	Motor rotor			1	
54	138330003		送料轴套	Motor stator winding			1	
55	13811060		送料轴套	Insulating shield			1	
56	10122012		送料轴套	Rubber plug			1	

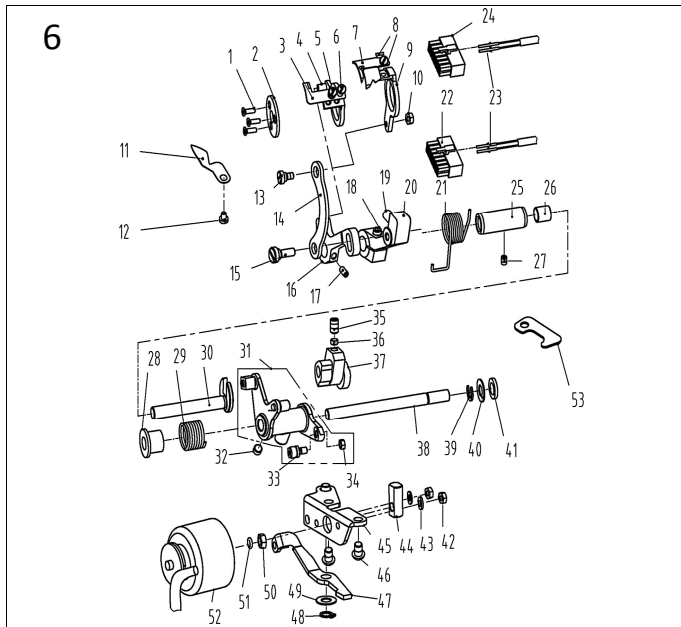


3. 绕线部件/Bobbin Components



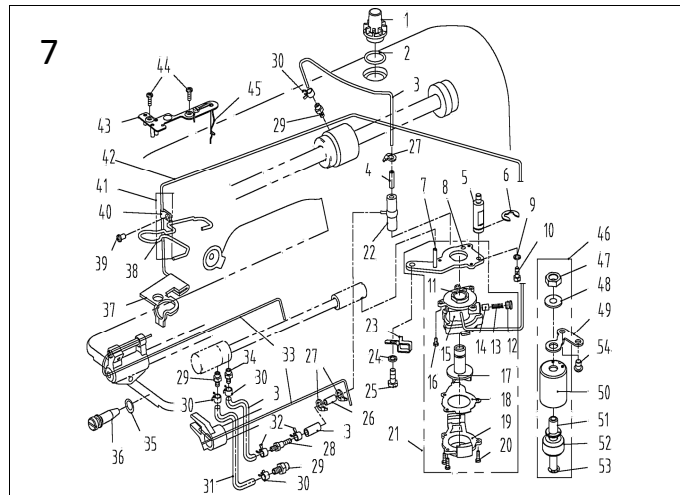
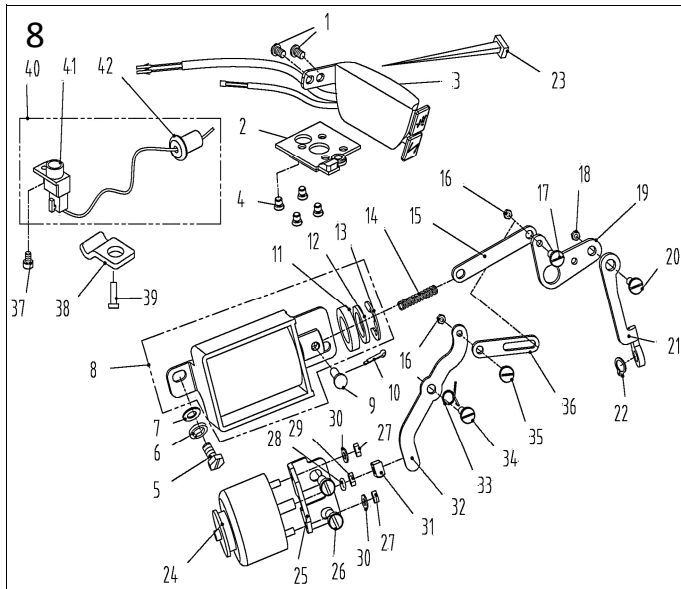
4. 针杆、竖轴、下轴部件/Needle bar,Upright Shaft & Hook Driving Shaft Components

序号 NO	公司件号	Part NO	名称	PartName	零件描述	Description	数量	Number
1	13803037		下轴后轴套	Hook driving shaft bushing back			1	
2	11314020		下轴后轴套螺钉 SM11/64" x 40 L=6	Screw SM11/64" x 40 L=6			1	
3	10108002		下轴后轴套	Hook driving shaft snap ring			1	
4	10151012		下轴后轴套螺钉 SM11/64" x 40 L=4.8	Screw SM11/64" x 40 L=4.8			2	
5	14003004		下轴中套	Lower shaft middle bushing			1	
6	11522001		油封件 2	oil seal 2			2	
7	1142201600		油封件 18	oil seal 18			1	
8	14103004		下轴前轴套	Lower shaft before bushing asm			1	
9	14402003		下轴	Hook driving shaft			1	
10	13823001		下轴限位芯	Oil wick			1	
11	101530005		下轴限位螺钉	set screw			1	
12	11428003		下轴限位螺钉(广澜中厚料厚板(扩大螺距范围))	Hook asm (Hirose)			1	
13	10108003		下轴限位螺钉(广澜中厚料厚板(扩大螺距范围))	Hook asm (Hirose) (-H)			1	
14	11218504		挑线杆轴套	Bobbin			1	
15	10117001		挑线杆轴套	Bobbin case arm			1	
16	10117002		挑线杆轴套	Needle (14#)			1	
17	10117002		挑线杆轴套	Needle (21#)			1	
18	10113002		挑线杆轴套	Needle bar thread guide			1	
19	11412063		挑线杆轴套(厚料)	Needle bar thread guide (-H)			1	
20	104510006		挑线杆轴套(厚料)	Screw SM2/18" x 44 L=4.5			1	
21	101511005		挑线杆轴套(厚料)	Screw SM9/64" x 40 L=6			1	
22	1440100100		挑线杆轴套	Needle bar support asm			1	
23	14402012		挑线杆轴套	Needle bar			1	
24	14402014		挑线杆轴套	Needle bar (-H)			1	
25	14438002		挑线杆轴套	Needle bar connecting rod			1	
26	14409005		挑线杆轴套	Slide block			1	
27	14403006		挑线杆轴套	Needle bar stand collar			1	
28	138508006		挑线杆轴套	Screw SM3/16" x 28 L=7			2	
29	13111002		挑线杆轴套	Plug			1	
30	131501004		挑线杆轴套	Screw 9/64" x 40 L=6			2	
31	14426007		挑线杆轴套					



6. 自动剪线部件/Feed Mechanism Components

序号NO	公司件号	Part NO	名称	PartName	零件描述	Description	数量	Number
1	114517001		刀架压板螺钉	Screw			3	
2	14112005		刀架压板	Knife bracket press component			1	
3	14119002		辅助动力	knife			1	
4	14119005		辅助动力 (厚料)	knife (-H)			1	
5	1440700200		剪线辅助架组件	Knife bracket			1	
6	113517002		活动刀固定螺钉SM11/64"x40 L=4.4	Screw SM11/64"x40 L=4.4			1	
7	131501002		螺钉SM11/64"x40	Screw SM11/64"x40			1	
8	14119001		活动刀	knife			1	
9	113517002		活动刀固定螺钉SM11/64"x40 L=4.4	Screw SM11/64"x40 L=4.4			2	
10	14407001		剪线主刀架	Knife bracket			1	
11	114516004		螺母SM11/64"x40	Nut SM11/64"x40			1	
12	14112001		分线片	Needle guard patch			1	
13	201511009		螺钉SM9/64"x40 L=5.5	Screw SM9/64"x40 L=5.5			1	
14	113520001		连杆螺钉SM11/64"x40	hinge screw SM11/64"x40			1	
15	11312005		连杆	Connecting rod			1	
16	141520002		剪线曲柄轴位螺钉	Screw			1	
17	14104003		剪线曲柄轴	Crank			1	
18	510007		GB/T80凹侧圆螺母M4x4(深型)	Screw			1	
19	505004		螺钉M5x14	Screw M5x14			1	
20	11322001		驱动曲柄止动块	Stop block			1	
21	14104001		剪线曲柄	Crank			1	
22	11327001		弹簧	Spring			1	
23	11230004		14孔接线器	Plug			1	
24	11323005		电线插针	Pin			2	
25	14130001		10孔接线器	Plug			1	
26	14103003		剪线轴套	Thread cutting shaft bushing			1	
27	11503005		驱动曲柄轴衬套	Crank drive shaft bushing			1	
28	113514002		螺钉SM11/64"x40 L=5.5	Screw SM11/64"x40 L=5.5			1	
29	11322002		拉簧端盖	Spring cover			1	
30	14104002		剪线凸轮轴	Crank shaft			1	
31	1400400100		剪线驱动组件	Thread trimmer drive asm.			1	
32	101514001		上轴中套轴套螺钉SM1/4"x40 L=6	Screw SM1/4"x40 L=6			1	
33	11324001		滚柱	Rolling pin			1	
34	113516002		螺母SM11/64"x40	Nut SM11/64"x40			1	
35	116514005		螺钉SM1/4"x40 L=10	Screw SM1/4"x40 L=10			1	
36	11309030		凸轴顶柱	Push rod			2	
37	11310004		剪线凸轮	Cam			1	
38	11310011		剪线凸轮 (厚料)	Cam (-H)			1	
39	14002004		切线驱动轴	Shaft			1	
40	H05013		GB/T896-1986挡圈6	Snap ring 6			1	
41	140112003		针杆插板护板	Cutter wedge protecting			1	
42	11322003		电磁铁缓冲片	Solenoid cushion rubber			1	
43	N01001		螺母M4	Nut M4			2	
44	W01013		GB/T97.1-1985垫圈4.5	Washer			2	
45	11309001		切线电磁铁顶销	Solenoid pin			1	
46	1401200200		切线电磁铁支架组件	Bracket			1	
47	517002		GB/T70.2-2000内六角平头螺钉M6x10	Screw M6x10			2	
48	14012001		切线杠杆	Tangent lever			1	
49	H03015		GB/T894.1卡簧8	Ring 8			1	
50	10112003		针杆插板护板	Needle bar crank protecting plate			1	
51	112516006		螺母SM1/4"x40	Nut SM1/4"x40			1	
52	O01004		O型圈	Rubber ring			1	
53	1403003400		剪线电磁铁组件	Thread trimmer solenoid asm.			1	
54	10112022		旋板供油管压板	Plate			1	

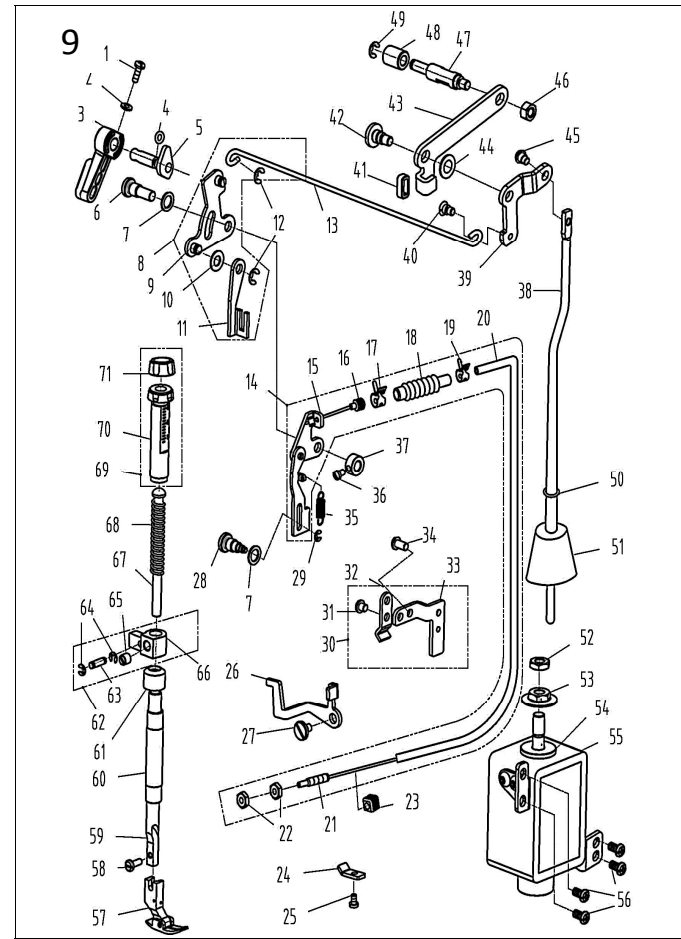


7. 润滑、油量检测部件/Oil Lubrication, Oil Measuring Components

序号NO	公司件号	Part NO	名称	PartName	零件描述	Description	数量	Number
1	11211004		油窗	Oil sight window			1	
2	10122019		油窗O形圈	Rubber ring			1	
3	14021001		油管Φ4xΦ6	Tubing Φ4xΦ6			0.6	
4	14436001		铝油管Φ4.5xΦ6	Aluminum tubing Φ4.5xΦ6			1	
5	112530005		油泵连接螺母	Oil pump connecting stud			1	
6	11329010		开口圈10	Snap ring 10			1	
7	10121001		下供油管	Hook driving shaft oil tube			1	
8	10112020		油泵安装板	Oil pump installing base			1	
9	W03002		弹垫	Spring washer			1	
10	209512001		压脚螺钉SM11/64"x40 L=10.5	Screw SM11/64"x40 L=10.5			1	
11	10103022		油泵体衬套	Oil pump bushing			1	
12	101530007		柱塞螺钉	Plunger Screw			1	
13	10127013		柱塞簧	Plunger spring			1	
14	10120218		回油柱塞	Plunger			1	
15	10120001		油泵体	Oil pump			1	
16	S04009		油泵螺钉	Screw			3	
17	10111003		油泵叶轮	Oil pump impeller			1	
18	10112021		油泵叶轮盖板	Oil pump impeller cover			1	
19	10111007		油泵盖	Lubricating oil pump cover			1	
20	101530006		螺钉	Screw			3	
21	1012000100		油泵分部件	Lubricating oil pump component			1	
22	10136001		橡胶接头	Rubber joint			1	
23	14112007		过线钩	Over wire hook			1	
24	W02004		GB/T93-1987弹垫M6	Spring Washer M6			1	
25	116530003		拾牙叉固定螺钉SM15/64"x28 L=14.5	Screw SM15/64"x28 L=14.5			1	
26	14021003		铝油管	Aluminum tubing			1	
27	11211005		尼龙扎带	Cable band			4	
28	14036004		油嘴油嘴	Oil nozzle			1	
29	14036002		油嘴	Oil nozzle			3	
30	20429001		油管卡簧6.5	Oil pipe clamp spring			4	
31	14021001		油管Φ4xΦ6	Tubing Φ4xΦ6			0.15	
32	11412055		油管卡簧5.7	Oil pipe clamp spring			2	
33	10423005		油线	Oil wick			1.5	
34	14036003		喷嘴	Oil nozzle			1	
35	14022011		O型圈	Rubber ring			1	
36	140530001		油窗调节螺钉	Oilvolum adjusting screw			1	
37	14423001		油毡毡	Oil felt felt			1	
38	14427003		沥青毡垫	Asphalt felt clamp			1	
39	101511001		抽线杆护罩螺钉SM3/16"x28 L=7	Screw SM3/16"x28 L=7			1	
40	10112023		回油管夹	Oil tube clamp			1	
41	10121007		回油管组件	Oil return tube component			1	
42	10121008		回油管	Oil return tube			1	
43	10112025		油线固定板	Oil line fixing plate			1	
44	101511010		压脚扳手螺钉SM9/64"x40 L=11	Screw SM9/64"x40 L=11			2	
45	10123010		油线 (厚料)	Oil wick (-H)			1	
46	1443000900		油窗油量测量组件	Oil measuring device			1	
47	N01009		螺母	Nut			1	
48	W02003		弹性垫圈	Washer			1	
49	14012006		油量检测测量固定板	Pull spring fixing plate			1	
50	14011004		油窗检测罩壳	Shell			1	
51	14002005		导向柱	Guide pillar			1	
52	14011002		浮子	Float			1	
53	H05009		开口圈6	Ring 6			1	
54	101511026		油泵安装螺钉SM15/64"x28 L=9	Screw SM15/64"x28 L=9			2	

8. 自动倒送料、感应拾压脚部件/Automatic Reverse Feed Components

序号NO	公司件号	Part NO	名称	PartName	零件描述	Description	数量	Number
1	101511004		抽线杆护罩螺钉SM3/16"x28 L=7	Screw SM3/16"x28 L=7			2	
2	1443000700		LED灯架	LED Light asm			1	
3	1443000400		双开关组件	Double switch components			1	
4	131502001		螺钉3/16"x28 L=6.5	Screw 3/16"x28 L=6.5			4	
5	116530003		拾牙叉固定螺钉SM15/64"x28 L=14.5	Screw SM15/64"x28 L=14.5			1	
6	W02004		GB/T93-1987弹垫M6	Spring washer M6			2	
7	11628005		拾牙叉固定螺钉垫圈	Washer			2	
8	1443001000		自动倒送料电磁铁	Auto reverse feed solenoid			1	
9	11326005		销子	Pin			1	
10	P04001		开口销 GB/T91.2x14	Cotter pin			1	
11	11322040		橡胶垫片	Rubber plunger			1	
12	11328031		垫片	Washer			1	
13	H05014		GB/T896-1986平头开口圈	Snap ring			1	
14	11327006		自动倒送料连杆弹簧	Plunger spring			1	
15	13812034		自动倒送料连杆	Auto reverse feed connecting rod			1	
16	113516008		自锁螺母SM11/64"x40	Nut SM11/64"x40			2	
17	141520004		曲柄轴螺钉SM11/64"x40	Hinge Screw SM11/64"x40			1	
18	113516007		曲柄轴螺母SM11/64"x28	Nut SM11/64"x28			1	
19	14104005		自动倒送料曲柄	Auto reverse feed crank			1	
20	112520001		曲柄轴螺钉SM11/64"x28	Hinge Screw SM11/64"x28			1	
21	11212029		自动倒送料拉杆	Auto reverse feed pull shaft			1	
22	14029003		轴用弹性挡圈7(厚0.8mm)	External Circlips 7			1	
23	11211005		尼龙扎带	Cable band			8	
24	1443000800		短头电磁铁组件	Thread trimmer solenoid asm.			1	
25	14112002		短头电磁铁支架	Bracket			1	
26	101511026		油泵安装螺钉SM15/64"x28 L=9	Screw SM15/64"x28 L=9			2	
27	N01001		螺母M4	Nut M4			2	
28	O01004		O型圈	Rubber ring			1	
29	112516006		螺母SM1/4"x40	Nut SM1/4"x40			1	
30	W01013		GB/T97.1-1985垫圈4.5	Washer			2	
31	14126001		短头电磁铁顶销	pin			1	
32	14105001		短头电磁铁顶销	rod			1	
33	14127001		低位传感器	Lower sensor			1	
34	141520001		倒送料连杆轴位螺钉	Screw			1	
35	141520003		轴位螺钉SM11/64"x40	Screw SM11/64"x40			1	
36	14105002		辅助连杆	rod			1	
37	S05254		GB/T70.1-2000螺钉M2.5x4	Screw M2.5x4			1	
38	14013022		导线导板	Wire guide press plate			1	
39	201511012		螺钉SM9/64"x40	Screw SM9/64"x40			1	
40	1403004100		下感应探头组件	Lower induction probe asm			1	
41	1403004000		下感应探头	Lower induction probe			1	
42	13822030		橡皮圈 (厚1)	Rubber plug			1	



9. 压料、自动拾压脚部件/Presser Bar, Auto Lifter Components

序号NO	公司件号	Part NO	名称	PartName	零件描述	Description	数量	Number
1	101511010		压脚扳手螺钉SM9/64"x40 L=11	Screw SM9/64"x40 L=11			1	
2	10128002		压脚扳手螺钉垫圈	Washer			1	
3	13811029		压脚扳手	Hand lifter			1	
4	O01004		O型圈	Rubber ring			1	
5	1441000200		压脚扳手凸轮分部件	Hand lifter cam asm.			1	
6	131520001		前杠杆螺栓圈	Screw			1	
7	10128016		橡胶圈橡胶垫圈(薄)	Washer			2	
8	1441200300		前杠杆组件	Front lever assembly			1	
9	1441200400		拾压脚前杠杆分部件	Lift front lever component			1	
10	14428002		垫圈 6.5x13x0.8	Washer 6.5x13x0.8			1	
11	14412005		压脚升降板	Lifting plate			1	
12	H05003		GB/T896-1986挡圈5	Snap ring 5			2	
13	14412006		拉杆	Pull rod			1	
14	1441200700		松线架组件	Pine line roof asm.			1	
15	1441201800		松线架组件	Loose line roof asm.			1	
16	14036006		密封接头	Seal joint			1	
17	14029002		平垫 Φ8	Circlip Φ8			1	
18	14023006		松线管护套	Loose pipe sealing sleeve			1	
19	1402							